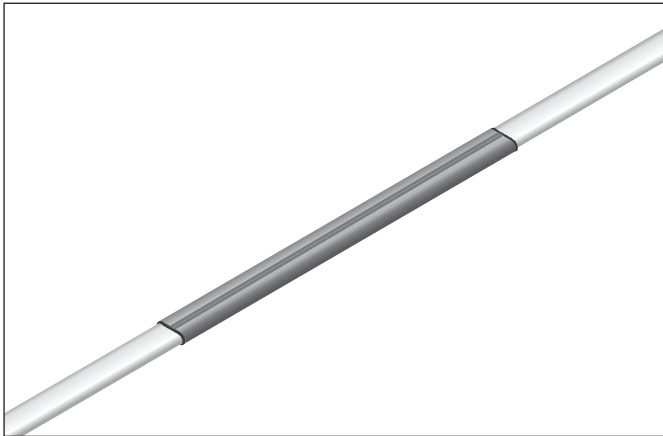




RAYCHEM

EMK-XJR

ElectroMelt Jacket Repair Kit Installation Instructions



DESCRIPTION

The nVent RAYCHEM EMK-XJR Jacket Repair Kit is used for repairing the outer jacket of ElectroMelt EM2-XR heating cable for snow-melting and de-icing applications. This kit is for use in nonhazardous locations only. Materials for one jacket repair (up to 10 inches) are included.

These installation instructions should be used in conjunction with the ElectroMelt System Design Guide (H53393) and ElectroMelt System Installation and Operation Manual (H58086).

For technical support call nVent at (800) 545-6258.

TOOLS REQUIRED

- Heat gun or propane torch
- Utility knife

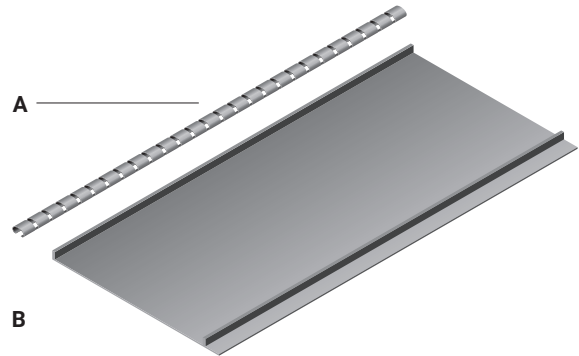
APPROVALS



DE-ICING AND SNOW MELTING EQUIPMENT

KIT CONTENTS

Item	Qty	Description
A	1	Metal channel
B	1	Shrink wrap sleeve



⚠ WARNING:

The heating cable is an electrical device that must be installed correctly to ensure proper operation and to prevent shock or fire. Read these important warnings and carefully follow all of the installation instructions.

- To minimize the danger of fire from sustained electrical arcing if the heating cable is damaged or improperly installed, and to comply with nVent, agency certifications, and national electric codes, ground-fault equipment protection must be used. Arcing may not be stopped by conventional circuit breakers.
- Component approvals and performance are based on the use of nVent specified parts only. Do not use substitute parts or vinyl electrical tape.
- The black heating-cable core is conductive and can short. It must be properly insulated and kept dry.

- Damaged bus wires can overheat or short. Do not break bus wire strands when scoring the jacket or core.
- Keep components and heating-cable ends dry before and during installation.
- Bus wires will short if they contact each other. Keep bus wires separated.
- Heat-damaged components can short. Use a heat gun or a torch with a soft, yellow, low-heat flame, not a blue focused flame. Keep the flame moving to avoid overheating, blistering, or charring the heat-shrinkable tubes. Avoid heating other components. Replace any damaged parts.
- Megohmmeters operate at high voltage. This voltage is hazardous and possibly lethal. Read and follow all instructions included with the instrument you are using.

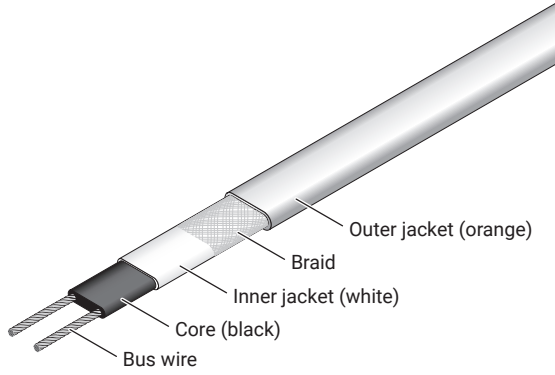
⚠ CAUTION:

HEALTH HAZARD: Overheating heat-shrinkable tubes will produce fumes that may cause irritation. Use adequate ventilation and avoid charring or burning. Consult MSDS RAY4566 for further information.

CHEMTREC 24-hour emergency telephone:
(800) 424-9300

Non-emergency health and safety information:
(800) 545-6258.

Heating Cable Construction

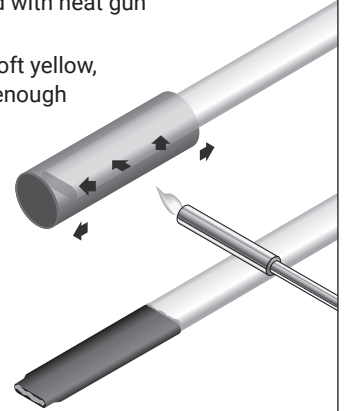


EM2-XR Heating Cable

1

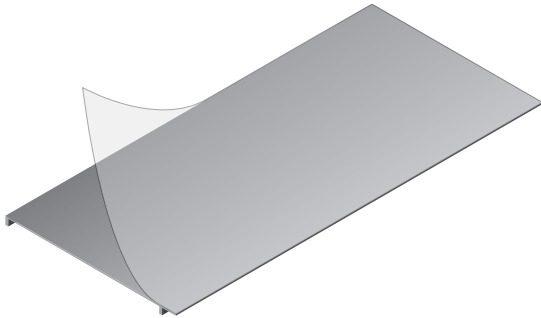
Instructions for using a heat gun or torch:

- Read important warnings on page 1 and follow safety precautions provided with heat gun or torch.
- When using a torch use a soft yellow, low-heat flame. Apply just enough heat to do the job.
- Keep torch or heat gun moving continuously to distribute the heat evenly to avoid overheating, blistering or charring the heating cable and heat-shrinkable tubes.
- Replace any heat-damaged parts.



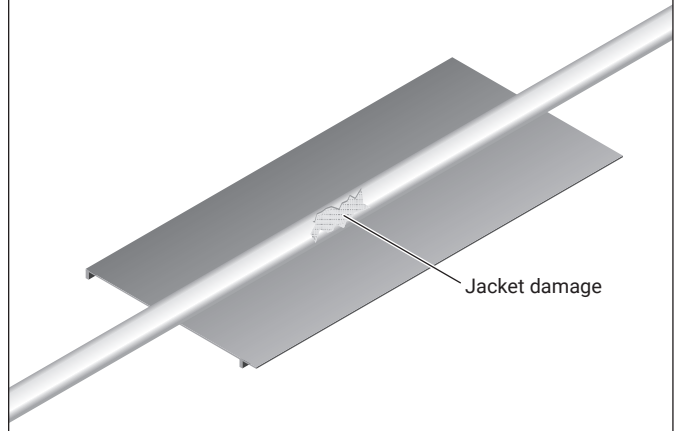
2

- Remove clear plastic backing.



3

- Center the sleeve over the area to be covered. (The damaged section must be less than 10 inches long.)



4

- Wrap around so that the grooved rails butt together.



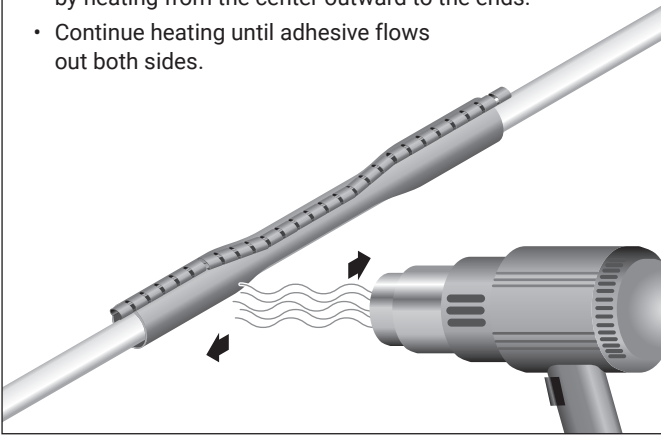
5

- Slide metal channel onto rails as shown.
- Extend metal channel beyond ends of the sleeve.



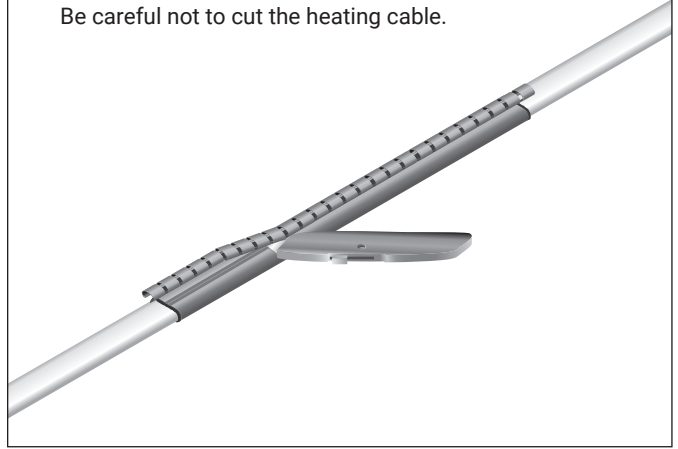
6

- Using the heat gun or propane torch, begin heating the metal channel first, for about 30 seconds. Shrink sleeve by heating from the center outward to the ends.
- Continue heating until adhesive flows out both sides.



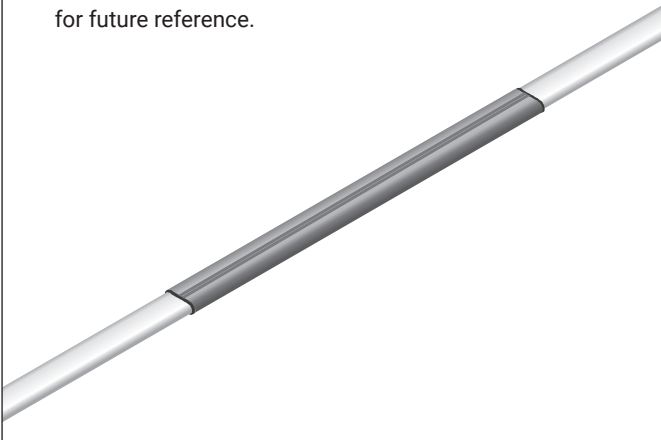
7

- Allow assembly to cool for about 10 minutes.
- Cut off the metal channel and rail, using a utility knife. Be careful not to cut the heating cable.



8

- Completed assembly.
- Leave these instructions with the end user for future reference.



North America

Tel +1.800.545.6258

Fax +1.800.527.5703

thermal.info@nvent.com



nVent.com

©2018 nVent. All nVent marks and logos are owned or licensed by nVent Services GmbH or its affiliates. All other trademarks are the property of their respective owners. nVent reserves the right to change specifications without notice.

Raychem-IM-H57286-EMKXJR-EN-1805