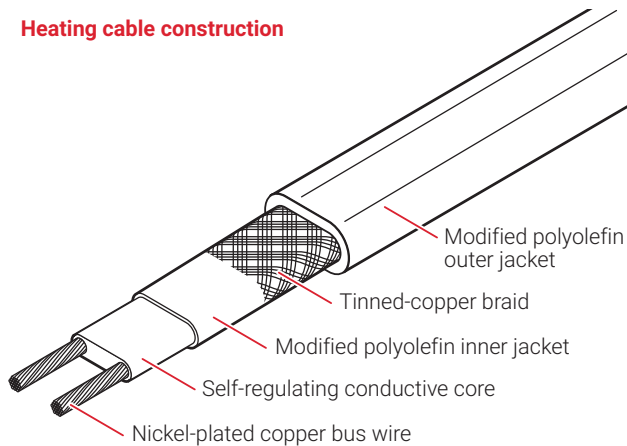


## Self-regulating surface snow-melting and anti-icing heating cable

### Heating cable construction



### PRODUCT OVERVIEW

nVent RAYCHEM ElectroMelt heating cable provides surface snow melting and anti-icing in concrete pavement.

#### Self-regulating

The polymer core of an ElectroMelt heating cable automatically adjusts power output at every point along its length in response to concrete pavement temperature. This response characteristic eliminates burnouts caused by overlapping cable and provides improved energy efficiency without the need for special controls.

#### Parallel circuitry

The crosslinked, conductive polymer core of the ElectroMelt heating cable is extruded between two 14 AWG copper bus wires, forming a parallel circuit. This allows ElectroMelt heating cables to be cut to length and to be spliced and repaired, if necessary, in the field.

### RUGGED

Specifically designed for direct burial in concrete, ElectroMelt heating cables are protected by a tinned-copper braid encased in a 70-mil modified polyolefin outer jacket. With no exposed metal parts to corrode and no burnout due to overlaps or hot spots, rugged ElectroMelt heating cable offers an ideal solution for all types of concrete pavement snow melting and anti-icing.

### CATALOG NUMBER

Power Output W/ft (W/m)	EM2-XR	
	Voltage	Power Output W/ft (W/m)
	208	30 (98)
	240	32 (105)
	277	34 (112)

### DIMENSIONS

Maximum width	0.75 in (19 mm)
Maximum thickness	0.38 in (10 mm)

### MINIMUM INSTALLATION TEMPERATURE

0°F (-18°C)

### MINIMUM BEND RADIUS

3 in (76 mm)

## MAXIMUM CIRCUIT LENGTH FOR STARTUP AT 20°F (-7°C) IN FEET (METERS)

Circuit breaker (A)	Heating cable supply voltage		
	208 V	240 V	277 V
15	80 (24)	85 (26)	100 (31)
20	105 (32)	115 (35)	130 (40)
30	160 (49)	170 (52)	195 (59)
40	210 (64)	230 (70)	260 (79)
50	265 (81)	285 (87)	325 (99)

## MAXIMUM CIRCUIT LENGTH FOR STARTUP AT 0°F (-18°C) IN FEET (METERS)

Circuit breaker (A)	Heating cable supply voltage		
	208 V	240 V	277 V
15	75 (23)	80 (24)	90 (27)
20	100 (31)	110 (34)	120 (37)
30	145 (44)	160 (49)	180 (55)
40	200 (61)	210 (64)	240 (73)
50	245 (75)	265 (81)	300 (91)

## BUS WIRES

14 AWG nickel-plated copper

## BRAID / OUTER JACKET

Heavy tinned-copper braid encased in a 70-mil modified polyolefin outer jacket


## NOMINAL WEIGHT

180 lb/1000 ft (268 kg/1000 m)

## CONNECTION KITS

nVent RAYCHEM ElectroMelt connection kits must be used to terminate ElectroMelt heating cables. Refer to the Surface Snow Melting and Anti-Icing Design Guide – ElectroMelt (H53393) for proper connection kit selection.

## APPROVALS

 Listed for use with  
EM2-XR de-icing and  
snow melting system



The EM2-XR heating cable is UL Listed and CSA Certified only when used with the appropriate agency-approved nVent RAYCHEM connection kits and accessories.

## GROUND-FAULT PROTECTION

To minimize the danger of fire from sustained electrical arcing if the heating cable is damaged or improperly installed, and to comply with the requirements of nVent RAYCHEM, agency certifications, and national electrical codes, ground-fault equipment protection must be used on each heating cable branch circuit. Arcing may not be stopped by conventional circuit protection. Many nVent RAYCHEM control and monitoring systems meet the ground-fault protection requirement.

**North America**

Tel +1.800.545.6258

Fax +1.800.527.5703

[thermal.info@nvent.com](mailto:thermal.info@nvent.com)



[nVent.com/RAYCHEM](https://nvent.com/RAYCHEM)

Our powerful portfolio of brands:

**CADDY ERICO HOFFMAN RAYCHEM SCHROFF TRACER**