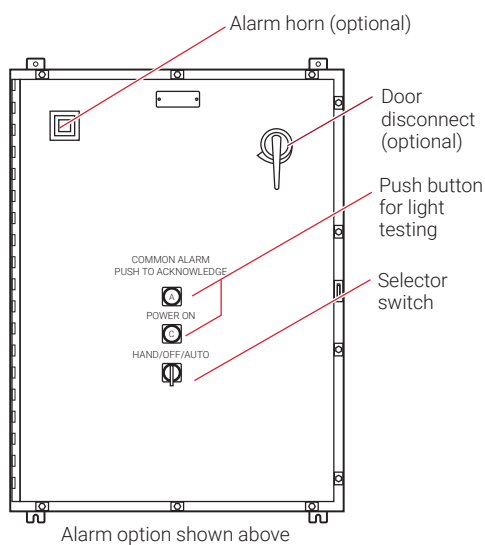
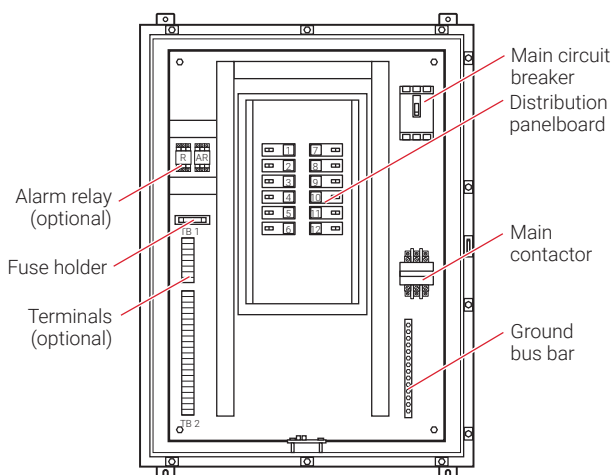


## Heat-Tracing Power Distribution Panel for Group Control Ground-Fault Protection, Monitoring, and Optional Alarm Panel



Alarm option shown above



### PRODUCT OVERVIEW

The nVent RAYCHEM HTPG is a dedicated power distribution, control, ground-fault protection, monitoring, and alarm panel for freeze protection and broad temperature maintenance heat-tracing applications. This wall-mounted enclosure contains an assembled circuit-breaker panelboard.

Panels are equipped with circuit breakers with or without alarm contacts.

The group control package allows the system to operate automatically in conjunction with an external controller/thermostat.

### LOAD POWER

120 / 208 / 240 / 277 Vac

### AMBIENT OPERATING TEMPERATURE

32°F (0°C) to 122°F (50°C) (without space heater option)

### FIELD WIRE SIZE

14–8 AWG (15–30 A), 8–4 AWG (40–50 A)

**CIRCUIT BREAKER TYPES**

To comply with NEC Article 427-55(a), circuit breakers are equipped with the means for lockout in the "Off" position.

Ground-fault breaker

Square D types QOB-EPD, EDB-EPD, Eaton types QBGFEP, GHBGFEP

**CIRCUIT BREAKER AMPERAGE RATING**

120 / 208 / 240 / 277 Vac

20 A, 30 A, 40 A, 50 A

**MAIN CONTACTOR**

600 Vac 3 pole

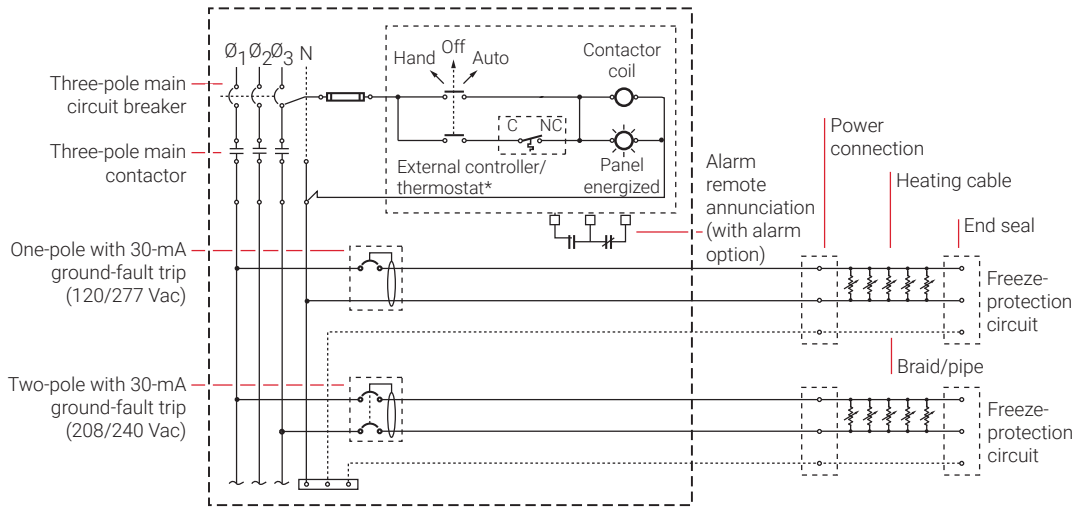
**APPROVALS**



**GROUND-FAULT PROTECTION**

To minimize the danger of fire from sustained electrical arcing if the heating cable is damaged or improperly installed, and to comply with the requirements of nVent, agency certifications, and national electrical codes, ground-fault equipment protection must be used on each heating cable branch circuit. Arcing may not be stopped by conventional circuit protection. Many RAYCHEM control and monitoring systems meet the ground-fault protection requirement.

**HTPG TYPICAL FREEZE-PROTECTION APPLICATION SCHEMATIC**



## HTPG CATALOG NUMBER

HTPG comes in a variety of configurations. The following chart outlines the elements that constitute a configuration and the corresponding catalog number.

HTPG - Voltage - Panelboard - C.B. type - # of C.B./# of poles (rating) - Enclosure - MCB - Options				
HTPG - 277/480 - 30 - 2 - 14/1P (30) - 4X - 200 - H				
<b>Voltage</b>	120/208	120/240*	277/480	
<b>Panelboard size</b>	18 = 18 space panelboard (277 V only) 30 = 30 space panelboard 42 = 42 space panelboard 54 = 54 space panelboard (277 V only)			
<b>Circuit breaker type</b>	2 = GFCB (30-mA trip) without alarm 3 = GFCB (30-mA trip) with bell alarm 4 = GFCB (30-mA trip) with relay alarm (includes terminal block option).			
<b>Number of circuit breakers/number of poles (circuit breaker rating) see prior page</b>	# of breakers (no bell alarm option)			
	<b>120 V</b>	<b>208 V</b>	<b>240 V</b>	<b>277V</b>
	<b>(1P)</b>	<b>(2P)</b>	<b>(2P)</b>	<b>(1P)</b>
18	(1-18)	(1-8)	(1-8)	(1-8)
30	(1-30)	(1-14)	(1-14)	(1-14)
42	(1-42)	(1-20)	(1-20)	(1-20)
54	-	-	-	(1-26)
	# of breakers (bell alarm option)			
	<b>120 V</b>	<b>208 V</b>	<b>240 V</b>	<b>277 V</b>
	<b>(1P)</b>	<b>(2P)</b>	<b>(2P)</b>	<b>(1P)</b>
18	(1-8)	(1-6)	(1-6)	(1-8)
30	(1-14)	(1-10)	(1-10)	(1-14)
42	(1-20)	(1-14)	(1-14)	(1-20)
54	-	-	-	(1-26)
<b>Option</b>	0 = None A = Alarm horn (requires C.B. type 3 or 4) B = Alarm beacon (requires C.B. type 3 or 4) C = Heat-trace contactor failure light D = Door disconnect E = Environmental purge (TYPE 4 or 4X enclosures only) G = Panel power-on light H = Space heater and thermostat L = Individual circuit breaker trip indication lights (requires C.B. type 4) P = Heat-trace energized light T = Terminal blocks (prewired) W = Wired for ETI controller Z = Z-purge system (TYPE 4 or 4X enclosures only) SP = Special requirement: Must contain complete description of variance			
<b>MCB</b>	<b>Main circuit breaker and contactor</b>			
	<b>Panelboard size</b>	<b>120/208</b>	<b>120/240</b>	<b>277/480</b>
18	50, 100	50, 100	30, 50, 70, 125	
30	50, 100, 150, 200, 225	50, 60, 80, 150, 175, 200, 225	50, 70, 125, 175, 225	
42	50, 100, 150, 200, 225	50, 60, 80, 150, 175, 200, 225	50, 70, 125, 175, 225	
54	-	-	50, 70, 125, 175, 225	
<b>Enclosure</b>	12= TYPE 12 (indoors) 4 = TYPE 4 (outdoors) 4X= TYPE 4X (stainless steel-outdoors)			
	* Single phase			

### North America

Tel +1.800.545.6258  
Fax +1.800.527.5703  
info@nvent.com



Our powerful portfolio of brands:

**CADDY ERICO HOFFMAN RAYCHEM SCHROFF TRACER**