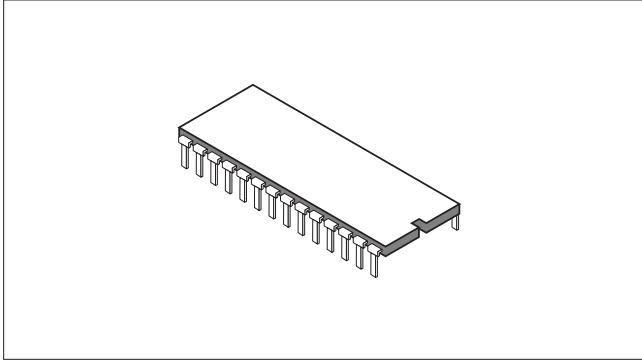


Raychem

TraceTek TTDM UI Software EPROM Replacement



General Information

These instructions detail the steps to replace a Tracetek TTDM User Interface EPROM (Erasable Programmable Read Only Memory) using a TTDM-UI EPROM version 1.05 or higher. Once the new EPROM has been installed, the TTDM should be fully functional and will not need re-calibration. However, settings changed from the factory defaults (e.g. Units, Password, Sensitivity) and events history prior to EPROM replacement will be lost.

Note: It is recommended that the events history be printed out or downloaded through the serial port (or recorded in some other manner) before the EPROM is replaced.

Important: The TTDM is an electronic unit. During installation, take the following precautions to avoid damage to the electronic components:

- Handle with care, avoid mechanical damage.
- Keep the electronics dry.
- Avoid exposure to static electricity; wear a well grounded (earthed) wrist strap.
- If handling circuit boards, hold them by their edges to avoid physical contact with electronic components.
- Avoid contamination with metal filings, liquids, or other foreign matter.

Important: The EPROM is electrostaticly sensitive. Follow these extra precautions to avoid damage:

- While replacing the EPROM, work on a grounded (earthed) surface.
- Wear a well grounded (earthed) wrist strap when handling an EPROM.
- Store an EPROM only on or in antistatic materials.

Tools required:

- Phillips (cross-head) screwdriver
- Flat-head screwdriver

Tools recommended:

- CMOS safe DIP IC extractor tool
- IC insertion tool for 24 and 28 pin DIP ICs

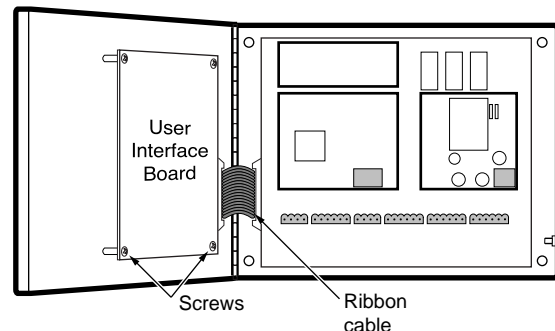
Refer also to *TTDM TraceTek Leak Detection and Location Module Installation Instructions* (Raychem literature number H55471).

Installing the TTDM User Interface EPROM

Follow these steps to replace the TTDM User Interface EPROM:

1. **⚠ WARNING:** Shock hazard.
Disconnect power to TTDM before opening enclosure door.
2. Open the enclosure door using a flat-blade screwdriver or coin.

Note: Put on a well grounded (earthed) wrist strap before proceeding.
3. Disconnect the 26 pin ribbon cable from the User Interface board on the door; spread the retaining ears on the cable connector to release it.
4. Remove the four Phillips (cross-head) screws that secure the User Interface board to the display plate.
5. Lift the User Interface (UI) board off the 16 pin connector at the top of the door and remove the 12 pin ribbon cable at the left side of the UI board.



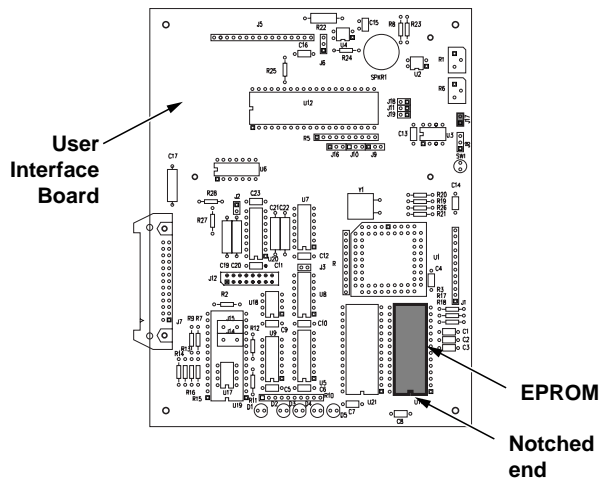
Installing the TTDM User Interface EPROM (continued)

6. Put the UI board on a flat surface, turn it over, and locate the 28 pin EPROM chip (item U11) at its lower right corner. The EPROM has a paper label bearing the following information:

Part ID: TTDM-UI or RC285067
Version: V 1.xx
Release date: 1/12/96 (or later)

7. Using a CMOS safe DIP IC extractor tool or small flat blade screwdriver carefully pry the EPROM chip up and remove it from its socket. Store this EPROM on or in antistatic material.

8. Orient the new EPROM with its socket, with the notched end toward the bottom of the board (i.e. notched end of EPROM aligned with notched end of socket). Make sure that all pins are aligned with their sockets and (using an IC insertion tool if available) press the chip into its socket. Visually inspect to ensure all pins are properly seated.



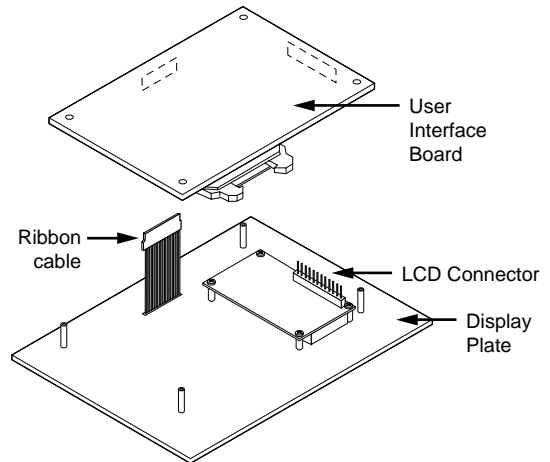
9. Position the UI board on the enclosure door and reconnect the 12 pin ribbon cable at left of the display. Align the UI board and press it into the 16 pin connector from the LCD display.

10. Fasten the UI board to the display plate with the four Phillips (flat-head) screws; the screws should be snug, but do not overtighten. Reconnect the 26 pin ribbon cable to the UI board.

11. With UI versions 1.05 and higher, the TTDM automatically reconfigures with the new software when the TTDM is first powered after an EPROM replacement. If for some reason an EPROM with an earlier UI software version is installed, the TTDM must be manually reconfigured; consult the factory.

12. Close and latch the enclosure, and reconnect power to the TTDM. The TTDM starts up with factory default settings, which include the password 0010.

13. Please return the old EPROM to Tracetek Products for recycling; use the package in which the new EPROM was supplied.



Raychem

Belgium
NV Raychem SA
Diestsesteenweg 692
3010 Kessel-Lo
Tel (32) 16/351-800
Fax (32) 16/351-797

Korea
Raychem Korea Limited
831-45 Yeuksam-Dong
Kangnam-Ku
Seoul 135
Tel (82) 2/557-7752
Fax (82) 2/558-5765

United Kingdom
Raychem Ltd.
Faraday Road
Dorcan, Wiltshire SN3 5HH
Tel (44) 1793/572-663
Fax (44) 1793/572-629

United States
Raychem Corporation
Commercial & Industrial
Infrastructure Division
300 Constitution Drive
Menlo Park, CA 94025-1164
Tel (800) 545-6258
Fax (800) 611-2323
www.raychem.com