

TTDM-SIM

TraceTek Leak Detection and Location Sensor Interface Module

Easy setup and simple operation

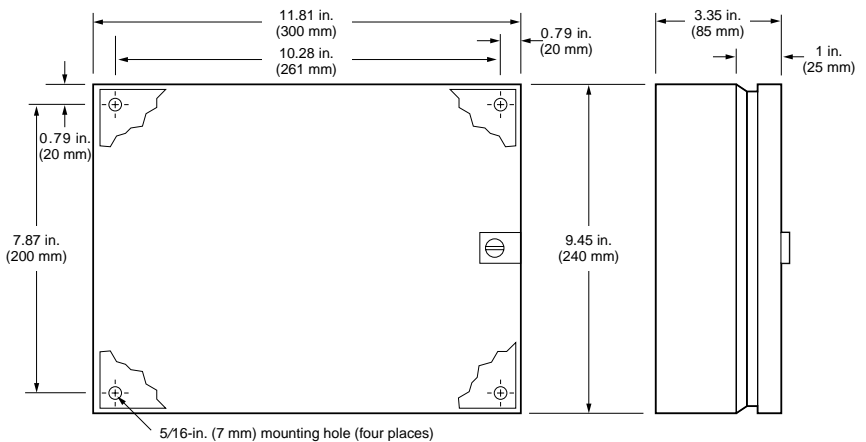
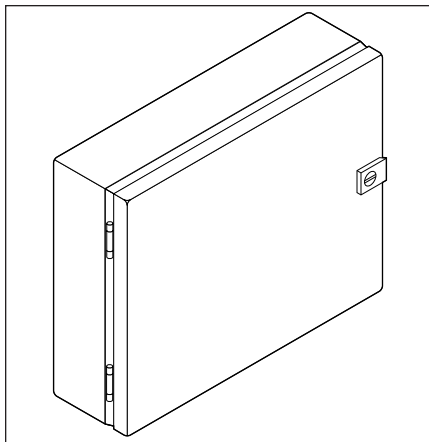
Each sensor interface module monitors up to 5000 feet (1500 m) of TraceTek sensing cables. When liquid is detected, the TTDM-SIM communicates with a Network Master unit (TTDM-NMM) to report the alarm condition, leak location, time, and date. The sensor interface module then continues to monitor the sensing cable and will communicate any major changes to the Network Master Unit. As with all TraceTek modules, no calibration or complicated setup is required.

Full featured

- The unit has built-in system diagnostic functions.
- In addition to detecting leaks, the TTDM-SIM unit warns of fault conditions and indicates when service is required.
- An events history log maintained by the master unit allows leaks (and other events) to be tracked.

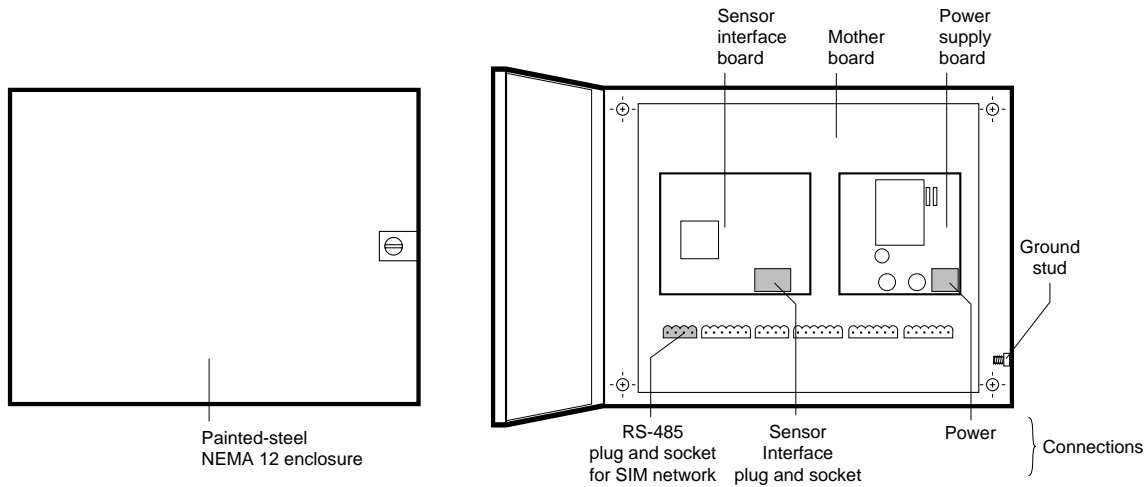
Versatile design

- The TTDM-SIM is available in three voltage ranges (115 Vac, 230 Vac, 24 Vac/Vdc).
- The settings can be customized to suit the user's application.
- The TraceTek network (including the Network Master unit and up to 15 Sensor Interface Modules) uses RS-485 for networks up to 4000 feet in length.
- TraceTek software assigns each TTDM-SIM a unique RS-485 address within the TraceTek network.

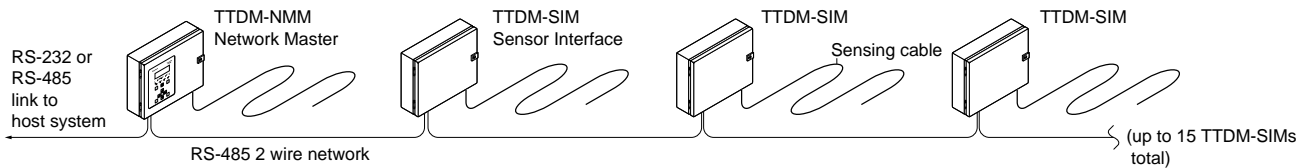


General features	Sensing cable compatibility	All TT1000, TT3000, and TT5000 series sensing cables All TT100, TT300, and TT500 series long-line sensing cables
	Maximum length of sensing cables	5000 ft (1500 m) per TTDM-SIM
	Maximum number of zones	100 per TTDM-SIM
	Precision	±0.1% of connected sensing cable length
	Units	Feet, meters, zones (selectable)
Temperature	Language	English,
	Storage	0°F to 140°F (-18°C to 60°C)
Humidity	Operating	32°F to 122°F (0°C to 50°C)
		5% to 95% noncondensing
Power consumption	<6 VA (5W) for TTDM-SIM-1 and -2	1 W for TTDM-SIM-24
Ordering Information	Catalog Number	Description
	Supply voltage	TTDM-SIM-24 24 Vac +5%, -35%; 24 Vdc ±20%
		TTDM-SIM-1 115 V +15%, -20%; 50/60 Hz
		TTDM-SIM-2 230 V ±10%; 50/60 Hz
Spares	TTDM-PS24 24 Vac/dc power supply	TTDM-SI Sensor interface card
	TTDM-PS1 115 Vac power supply	TTDM-MB Motherboard
	TTDM-PS2 230 Vac power supply	

TTDM-SIM Leak Detection and Location Sensor Interface Module



TraceTek network arrangement



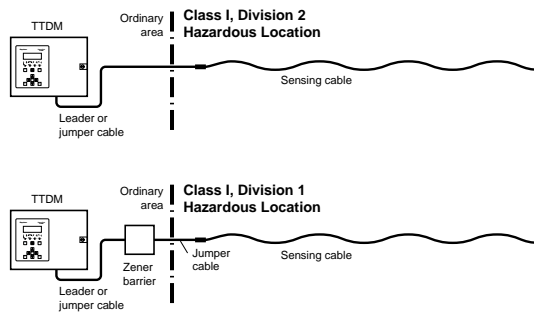
Interfaces

TraceTek Network Port

RS-485 (2-wire connection)

Approvals and certifications pending

The TTDM-SIM unit is approved for use in ordinary areas. The module must be located in an ordinary area, but may monitor intrinsically safe TraceTek sensing cables located in hazardous locations, as shown below.



TraceTek sensing cable in Class I, Division 2, Groups A, B, C, D Hazardous Locations (Zone 2 in Europe)

If protected by an agency-approved zener barrier, TraceTek sensing cable in Class I, Division 1, Groups A, B, C, D Hazardous Locations (Zone 0 or Zone 1 in Europe). Contact Raychem to select proper zener barrier.

The TTDM-SIM enclosure is NEMA 12, IP54.

Electromagnetic compatibility



Compliant with standards for immunity	EN50082-1 (light industrial)
Compliant with standards for emissions	EN50081-1 (residential/commercial) EN55022 and FCC Part 15, Class B
<i>Certifications pending.</i>	



The TraceTek products group is a part of Raychem's Commercial and Industrial Infrastructure Division, which is ISO 9001 certified worldwide.

Raychem Corporation
Commercial & Industrial
Infrastructure Division
 300 Constitution Drive
 Menlo Park, CA 94025-1164
 Tel (800) 545-6258
 Fax (800) 611-2323
 www.raychem.com

All information, including illustrations, is believed to be reliable. Users, however, should independently evaluate the suitability of each product for their application. Raychem makes no warranties as to the accuracy or completeness of the information, and disclaims any liability regarding its use. Raychem's only obligations are those in the Raychem Standard Terms and Conditions of Sale for this product, and in no case will Raychem be liable for any incidental, indirect, or consequential damages arising from the sale, resale, use, or misuse of the product. Specifications are subject to change without notice. In addition, Raychem reserves the right to make changes—without notification to Buyer—to materials or processing that do not affect compliance with any applicable specification.