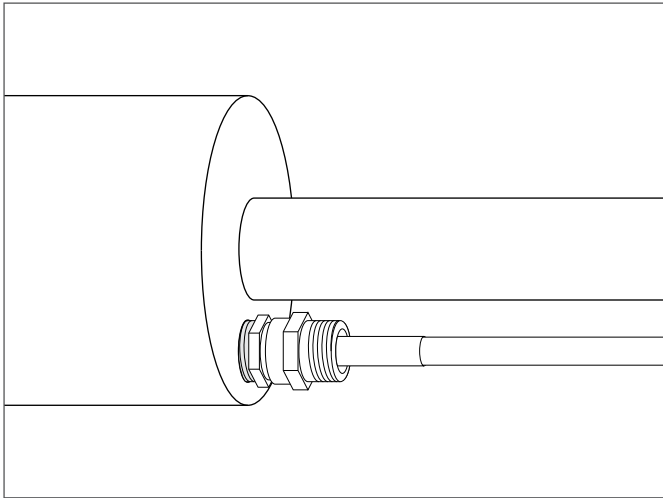


# *TraceTek* TT-PFT-3/4-MC, TT-PFT-3/4-SS/MC

## PRESSURE FEED-THROUGH FITTING INSTALLATION INSTRUCTIONS



### DESCRIPTION

The TraceTek TT-PFT-3/4-MC (brass) and TT-PFT-3/4-SS/MC (stainless steel) are feed-through fittings used to transition through containment systems. They are suitable for NEMA 4 environments and are rated for continuous exposure to 150 psi containment pressure.

### TOOLS REQUIRED

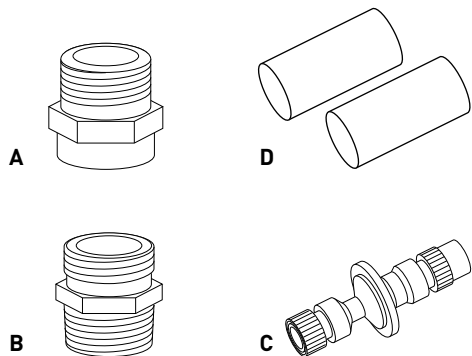
- 12-inch adjustable wrench
- Heat gun (Ultratorch) or flameless heating tool

### ADDITIONAL MATERIALS REQUIRED

- Teflon sealing tape

### KIT CONTENTS

Item	Qty	Description
A	1	PFT body (non-containment side)
B	1	PFT nipple (containment side)
C	1	PFT bulkhead connector
D	2	Heat-shrinkable tube



### WARNING:

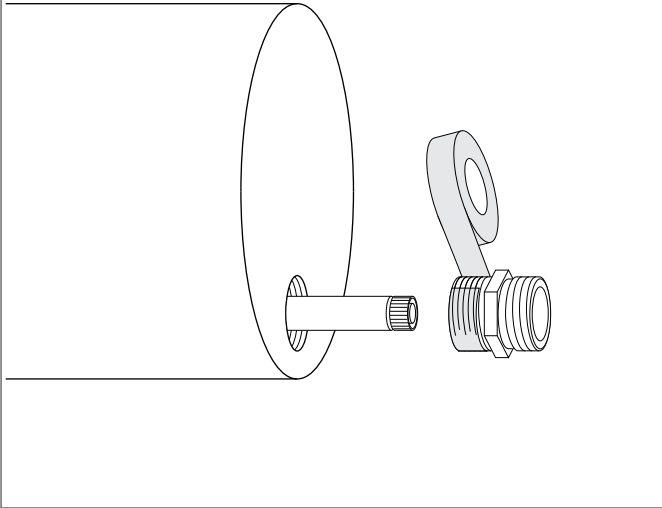
Overheating heat-shrinkable tubes will produce fumes that may cause irritation. Use adequate ventilation and avoid charring or burning. Consult MSDS RAY3122 for further information.

- Follow all installation instructions carefully.
- Do not use pipe dope, it may contaminate the sensing cable.
- Do not substitute kit parts.
- Investigate leaks immediately.
- In acidic environments, the TT-PFT-3/4-MC should be replaced in the event of a leak.

**Note: Factory recommended mounting positions are top and side only**

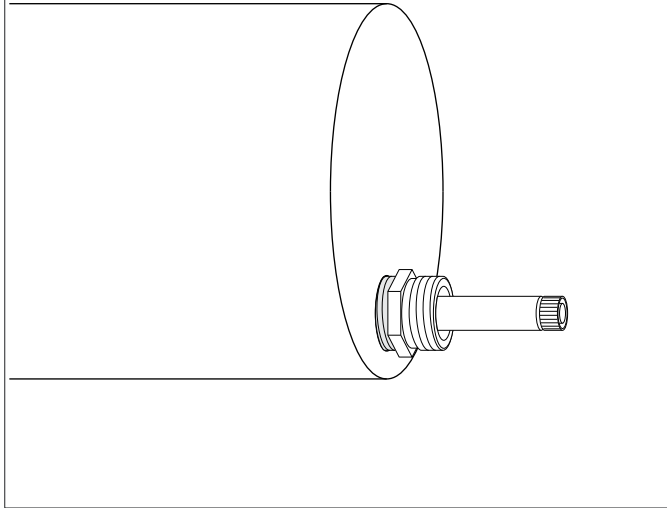
1

- Wrap Teflon tape around the 3/4 inch NPT thread of the PFT nipple. Be sure not to confuse the NPT threads with the coarser hose threads. Do not use pipe dope.



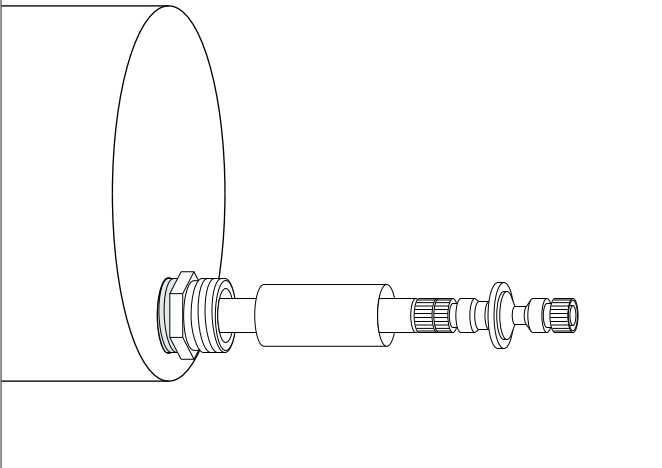
2

- Pull the end of the sensing cable out of the containment. Slip the PFT nipple over the sensing cable, NPT threads first. Using a wrench, tighten the PFT nipple into the threaded containment entry.



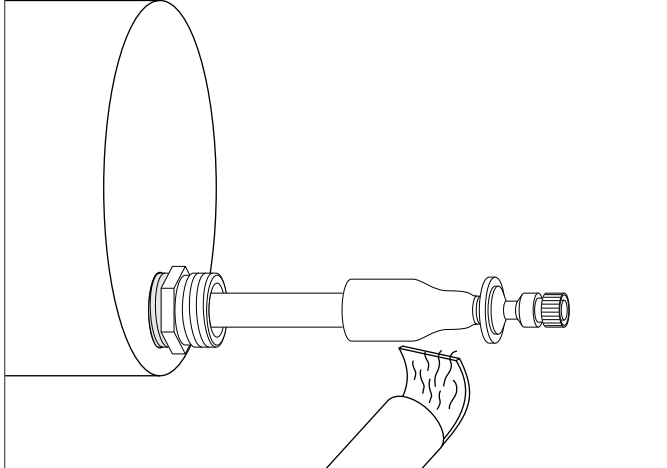
3

- Slip the heat-shrinkable tube over the sensing cable. Connect the sensing cable to the end of the bulkhead connector. NOTE: The bulkhead connector has both pin and socket ends. Use the end that mates to the sensing cable. (The bulkhead connector will fit into the PFT body in either orientation).



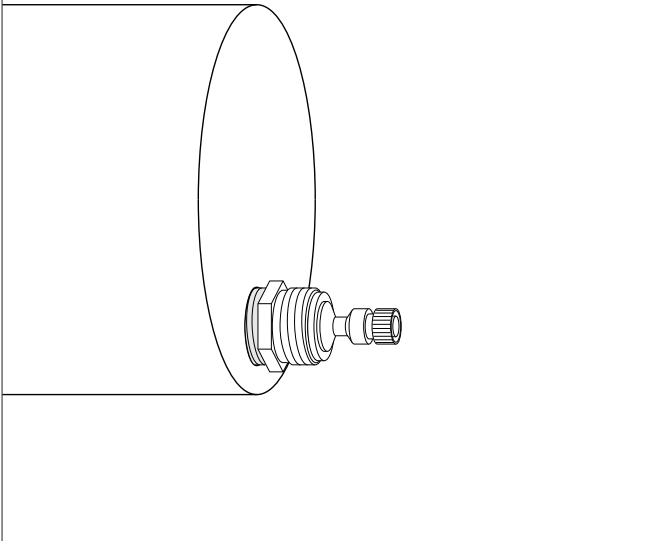
4

- Shrink the heat-shrinkable tube over the mated connectors using a flameless heating tool. Do not cover the large diameter area of the PFT bulkhead connector with the tube. Be careful not to burn the bulkhead connector body.



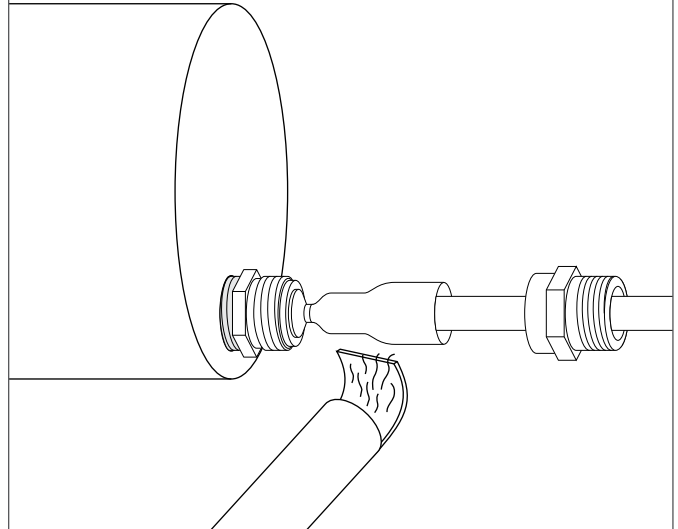
5

- Seat the bulkhead connector in the PFT nipple.



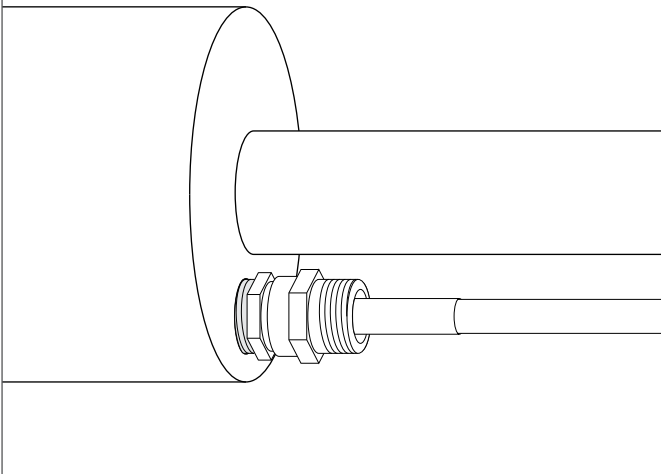
6

- Prepare the connecting jumper cable or sensing cable by slipping the PFT body over the connecting cable, NPT threads first. Slip the second heat-shrinkable tube over the connecting cable. Connect the outside cable to the bulkhead connector. Shrink the tube over the mated connection.



7

- Hand tighten the PFT body onto the PFT nipple. Finish tightening with a wrench 1/6 turn (do not over-tighten). Jumper cable to be installed per local codes. If a junction box is used, fasten the PFT body to the junction box with a 3/4 inch lock nut.





[WWW.THERMAL.PENTAIR.COM](http://WWW.THERMAL.PENTAIR.COM)

**NORTH AMERICA**

Tel: +1.800.545.6258  
Fax: +1.800.527.5703  
Tel: +1.650.216.1526  
Fax: +1.650.474.7215  
[thermal.info@pentair.com](mailto:thermal.info@pentair.com)

**EUROPE, MIDDLE EAST, AFRICA**

Tel: +32.16.213.511  
Fax: +32.16.213.603  
[thermal.info@pentair.com](mailto:thermal.info@pentair.com)

**ASIA PACIFIC**

Tel: +86.21.2412.1688  
Fax: +86.21.5426.2917  
[cn.thermal.info@pentair.com](mailto:cn.thermal.info@pentair.com)

**LATIN AMERICA**

Tel: +55.11.2588.1400  
Fax: +55.11.2588.1410  
[thermal.info@pentair.com](mailto:thermal.info@pentair.com)

Pentair and TraceTek are owned by Pentair or its global affiliates. All other trademarks are the property of their respective owners. Pentair reserves the right to change specifications without prior notice.