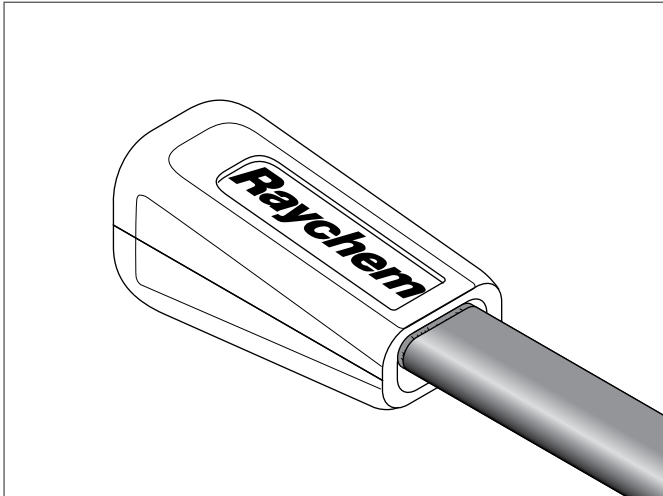


Raychem RayClic-E

RAYCLIC END SEAL KIT INSTALLATION INSTRUCTIONS



DESCRIPTION

This end seal is for use with Raychem IceStop, XL-Trace, HWAT and RaySol heating cables. Materials for one end seal termination are included in this kit. The appropriate Raychem power connection kit must also be used. These installation instructions should be used in conjunction with the IceStop, XL-Trace, HWAT and RaySol System Installation and Operation Manuals. For technical support contact your Pentair Thermal Management representative or call Pentair Thermal Management (800) 545-6258.

Note: The RayClic-E end seal can be installed only once; it cannot be removed from the heating cable. Do not use until ready for final installation.

TOOLS REQUIRED

- Utility knife
- Diagonal cutters

APPROVALS



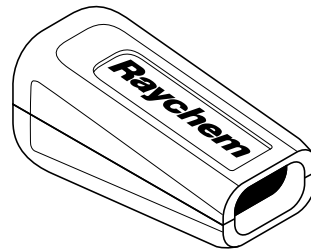
718K Pipe Heating Cable
877Z De-Icing and Snow Melting
Not UL Listed with XL-Trace
heating cable for buried piping



With HWAT, IceStop, and
XL-Trace heating cables
Class I, Div. 2, Groups A, B, C, D
hazardous locations with GM-XT only

KIT CONTENTS

Qty	Description
1	Gel-filled end seal



WARNING:

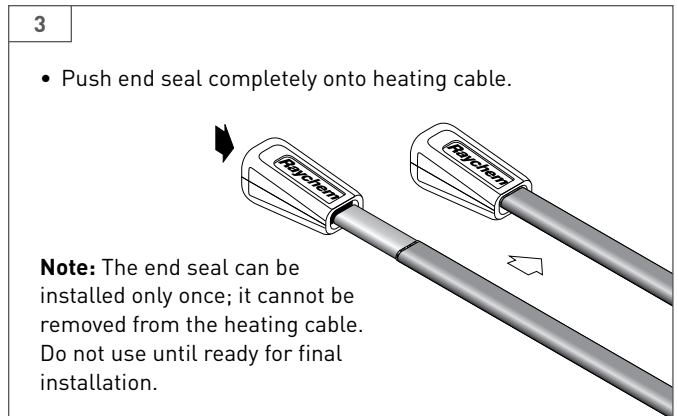
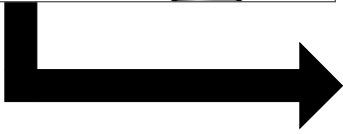
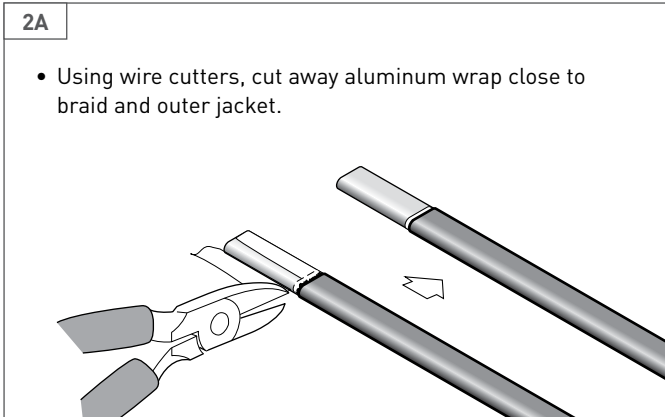
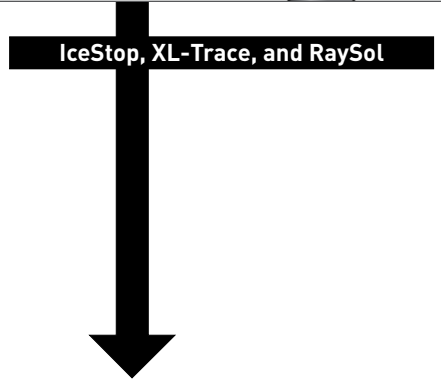
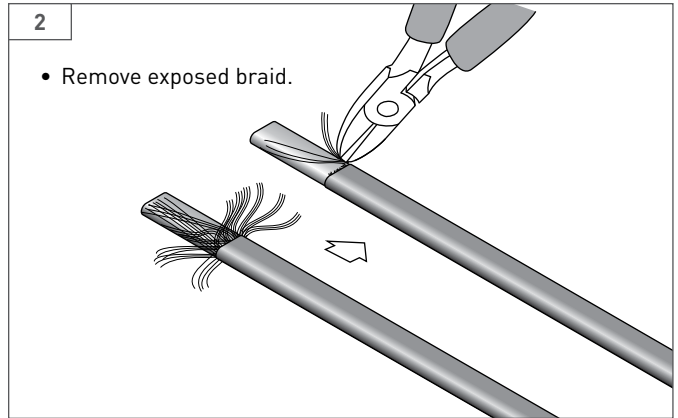
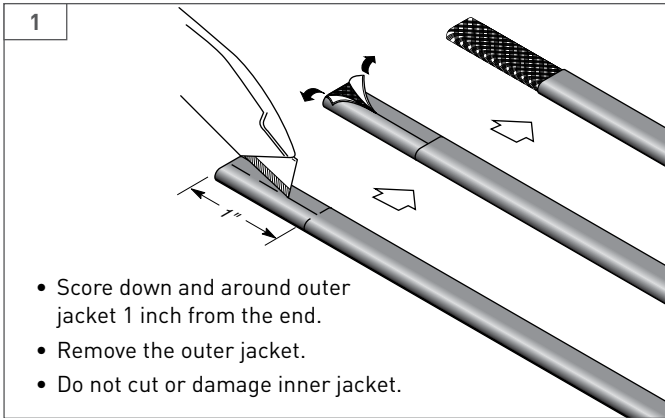
This component is an electrical device that must be installed correctly to ensure proper operation and to prevent shock or fire. Read these important warnings and carefully follow all the installation instructions.

- To minimize the danger of fire from sustained electrical arcing if the heating cable is damaged or improperly installed, and to comply with the requirements of Pentair Thermal Management,

agency certifications, and national electrical codes, ground-fault equipment protection must be used. Arcing may not be stopped by conventional circuit breakers.

- Bus wires will short if they contact each other. Keep bus wires separated.
- The black heating cable core is conductive and can short. It must be properly insulated and kept dry.

- Component approvals and performance are based on the use of Pentair Thermal Management-specified parts only. Do not use substitute parts or vinyl electrical tape.
- Use only fire-resistant insulation materials such as fiberglass wrap.
- Leave these instructions with end user for reference and future use.



WWW.THERMAL.PENTAIR.COM

NORTH AMERICA

Tel: +1.800.545.6258
 Fax: +1.800.527.5703
 Tel: +1.650.216.1526
 Fax: +1.650.474.7711
 thermal.info@pentair.com

EUROPE, MIDDLE EAST, AFRICA

Tel: +32.16.213.511
 Fax: +32.16.213.603
 thermal.info@pentair.com

ASIA PACIFIC

Tel: +86.21.2412.1688
 Fax: +86.21.5426.2917
 cn.thermal.info@pentair.com

LATIN AMERICA

Tel: +55.11.2588.1400
 Fax: +55.11.2588.1410
 thermal.info@pentair.com

Pentair, HWAT, IceStop, RayClic, and XL-Trace are owned by Pentair or its global affiliates. All other trademarks are the property of their respective owners. Pentair reserves the right to change specifications without prior notice.