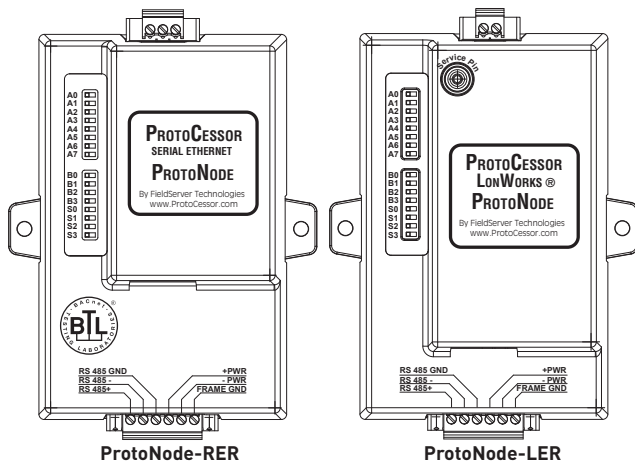


DigiTrace PROTONODE

MULTI-PROTOCOL DEVICE SERVER

ProtoNode-RER and ProtoNode-LER



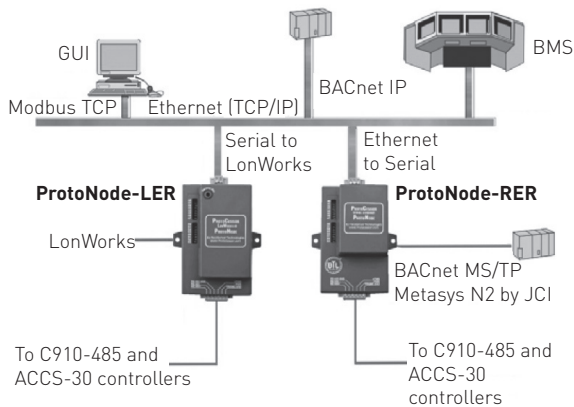
PRODUCT OVERVIEW

The DigiTrace ProtoNode is an external, high performance multi-protocol gateway for customers needing protocol translation between Building Management Systems (BMS) using LonWorks®, BACnet® or Metasys® N2 and the DigiTrace C910 or ACS-30 controllers.

Pentair Thermal Management and FieldServer Technologies developed the DigiTrace ProtoNode-RER and DigiTrace ProtoNode-LER pre-programmed with the C910 and ACS-30 Modbus® maps for simple integration into your BMS. The field protocol, DigiTrace controller, Mac address, node ID and baud rate are DIP switch selectable. One ProtoNode can connect one ACS-30 system or up to eight C910 controllers.

ProtoNode-RER: Provides support for Modbus RTU to BACnet MS/TP, BACnet IP (BTL Certified), and Metasys N2 protocol translation. The gateway features an ARM9 processor for fast performance and includes two RS-485 and one Ethernet ports.

ProtoNode-LER: Provides support for Modbus RTU to LonWorks protocol translation. The gateway features an ARM7 processor for fast performance and includes one serial, one RS-485, one Ethernet and one LonWorks ports.



Features and benefits:

- The most flexible and versatile multiprotocol device server on the market
- BACnet International's BTL Certification makes the ProtoNode-RER the most reliable gateway on the market
- Dip switch selectable configuration files simplify the ProtoNode installation
- Multi-client and multi-server support ensures interoperability between any Industrial and or Building Automation protocols
- Flash upgradable

For additional information, contact your Pentair Thermal Management representative or call (800) 545-6258.

APPROVALS



BACnet Testing Labs (BTL) B-ASC on ProtoNode-RER

PROTONODE MULTI-PROTOCOL DEVICE SERVER

SPECIFICATIONS

	ProtoNode-RER	ProtoNode-LER
Electrical connections	<ul style="list-style-type: none"> One 6-pin Phoenix connector, one RS-485 +/- ground port, power +/- frame ground port One 3-pin RS-485 Phoenix connector, one RS-485 +/- ground port One Ethernet-10/100 Ethernet port 	<ul style="list-style-type: none"> One 6-pin Phoenix connector, one RS-485 +/- ground port, power +/- frame ground port One Ethernet-10/100 Ethernet port One FTT-10 LonWorks port
Power requirements	9–30 Vdc or Vac, or 5 Vdc	9–30 Vdc or Vac, or 5 Vdc
Current draw	150 mA @ 12 V	279 mA @ 12 V
Supported field protocols	<ul style="list-style-type: none"> BACnet IP (Ethernet) BACnet MS/TP (RS-485) Metasys N2 open (RS-485) 	LonWorks (serial FTT-10)
Operating temperature	–40°F to 187°F (–40°C to 85°C)	–40°F to 187°F (–40°C to 85°C)
Relative humidity	5–90% RH, noncondensing	5–90% RH, noncondensing
Enclosure dimensions	4.37 in L x 2.75 in W x 1.50 in H (11.10 cm L x 7.00 cm W x 3.81 cm H)	4.37 in L x 2.75 in W x 1.50 in H (11.10 cm L x 7.00 cm W x 3.81 cm H)

ORDERING DETAILS

Description	Catalog number	Part number	Weight (lbs)
DigiTrace ProtoNode-RER: BACnet MSTP/IP and Metasys N2 protocol gateway	ProtoNode-RER	P000001227	1.3
DigiTrace ProtoNode-LER: LonWorks protocol gateway	ProtoNode-LER	P000001228	1.3



WWW.THERMAL.PENTAIR.COM

NORTH AMERICA

Tel: +1.800.545.6258
Fax: +1.800.527.5703
Tel: +1.650.216.1526
Fax: +1.650.474.7711
thermal.info@pentair.com

EUROPE, MIDDLE EAST, AFRICA

Tel: +32.16.213.511
Fax: +32.16.213.603
thermal.info@pentair.com

ASIA PACIFIC

Tel: +86.21.2412.1688
Fax: +86.21.5426.2917
cn.thermal.info@pentair.com

LATIN AMERICA

Tel: +55.11.2588.1400
Fax: +55.11.2588.1410
thermal.info@pentair.com

Pentair and DigiTrace are owned by Pentair or its global affiliates. All other trademarks are the property of their respective owners. Pentair reserves the right to change specifications without prior notice.

© 2010–2013 Pentair.