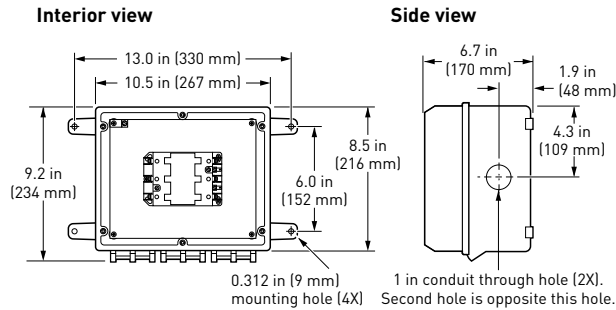


DigiTrace E104 E304 E307

THREE POLE CONTACTOR INSTALLATION INSTRUCTIONS

E104

100-A Three-pole Contactor for Nonhazardous Locations



DESCRIPTION

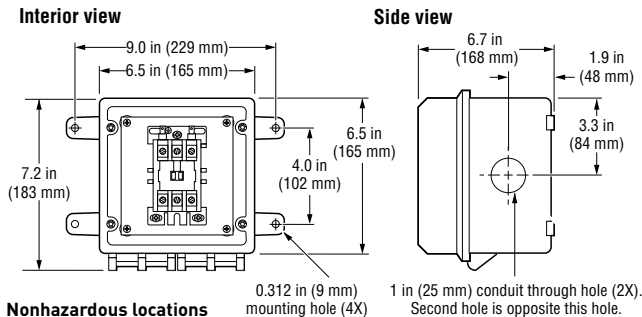
The E104 is a three-pole 100 amp per pole contactor housed in a NEMA 4X enclosure.

SPECIFICATIONS

Enclosure	NEMA 4X	
Power Connection	Pressure lugs for 14-4 AWG wire	
Contactor Rating	100 A per pole, 600 Vac maximum, UL Recognized, CSA Certified	
Order with appropriate coil	Coil Rating	Catalog Number
	110-120 Vac	E104-100-120
	208-240 Vac	E104-100-208/240
	277 Vac	E104-100-277
	480 Vac	E104-100-480
600 Vac	E104-100-600	

E304

40-A Three-pole Contactor for Nonhazardous Locations



Nonhazardous locations



DESCRIPTION

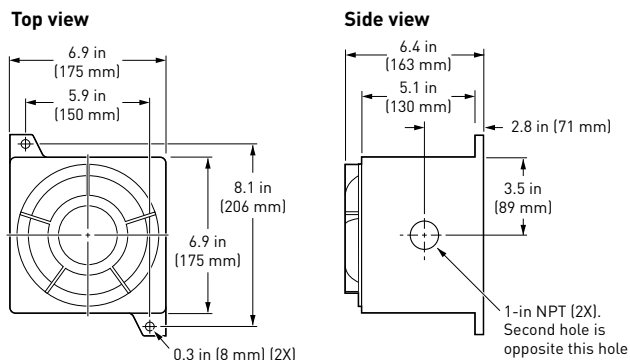
The E304 is a three-pole 40 amp per pole contactor housed in a NEMA 4X enclosure.

SPECIFICATIONS

Enclosure	NEMA 4X	
Power Connection	Pressure lugs for 14-4 AWG wire	
Contactor Rating	40 A per pole, 600 Vac maximum, UL Recognized, CSA Certified	
Order with appropriate coil	Coil Rating	Catalog Number
	110-120 Vac	E304-40-120
	208-240 Vac	E304-40-208/240
	277 Vac	E304-40-277
	480 Vac	E304-40-480
600 Vac	E304-40-600	

E307

40-A Three-pole Contactor for Hazardous Locations



DESCRIPTION

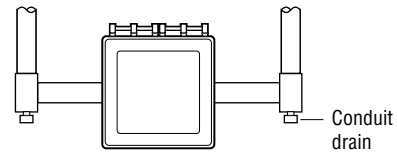
The E307 is a three-pole 40 amp per pole contactor housed in a NEMA 4, 7, 9 aluminum enclosure that is approved for hazardous locations.

SPECIFICATIONS

Enclosure	NEMA 4,7,9 FM Approved for Class I, Div. 1 & 2, Groups B, C, D; Class II, Div. 1 & 2, Groups E, F, G; Class III	
Power Connection	Pressure lugs for 14-4 AWG wire	
Contactor Rating	40 A per pole, 600 Vac maximum, UL Recognized, CSA Certified	
Order with appropriate coil	Coil Rating	Catalog Number
	110-120 Vac	E307-40-120
	208-240 Vac	E307-40-208/240
	277 Vac	E307-40-277
	480 Vac	E307-40-480
600 Vac	E307-40-600	

Installing the Contactor

1. Verify that the contactor is suitable for the area where it is to be installed.
2. Check the line voltage and the heat-tracing load to ensure that the contactor ratings are not exceeded.
3. Mount the enclosure in a position that prevents condensation from draining into the enclosure from the connecting conduit (see diagram at right).



Wiring

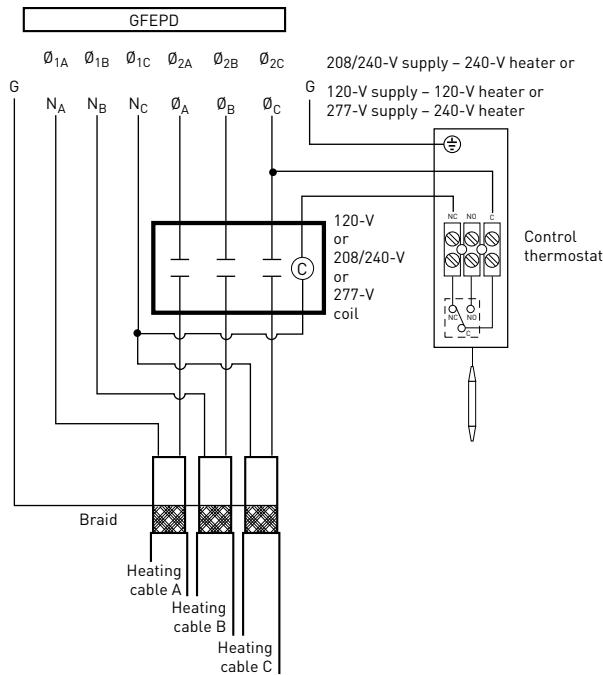


Figure 1.

Contactor control for switching heat-tracing loads greater than 22 A or switching multiple heat-tracing circuits.

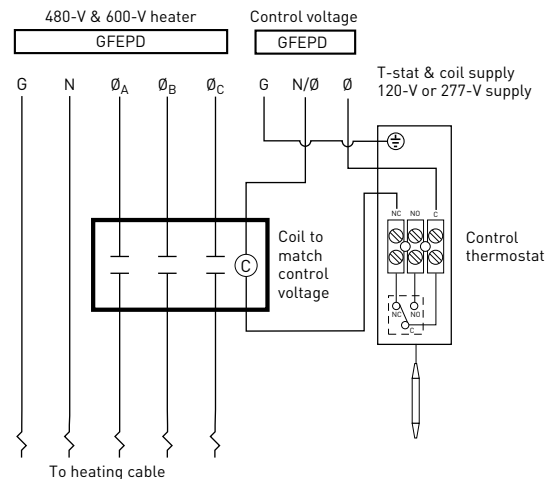


Figure 2.

Contactor control for switching heating cable On/Off.



WWW.THERMAL.PENTAIR.COM

NORTH AMERICA

Tel: +1.800.545.6258
 Fax: +1.800.527.5703
 Tel: +1.650.216.1526
 Fax: +1.650.474.7711
 thermal.info@pentair.com

EUROPE, MIDDLE EAST, AFRICA

Tel: +32.16.213.511
 Fax: +32.16.213.603
 thermal.info@pentair.com

ASIA PACIFIC

Tel: +86.21.2412.1688
 Fax: +86.21.5426.2917
 cn.thermal.info@pentair.com

LATIN AMERICA

Tel: +55.11.2588.1400
 Fax: +55.11.2588.1410
 thermal.info@pentair.com

Pentair and DigiTrace are owned by Pentair or its global affiliates. All other trademarks are the property of their respective owners. Pentair reserves the right to change specifications without prior notice.