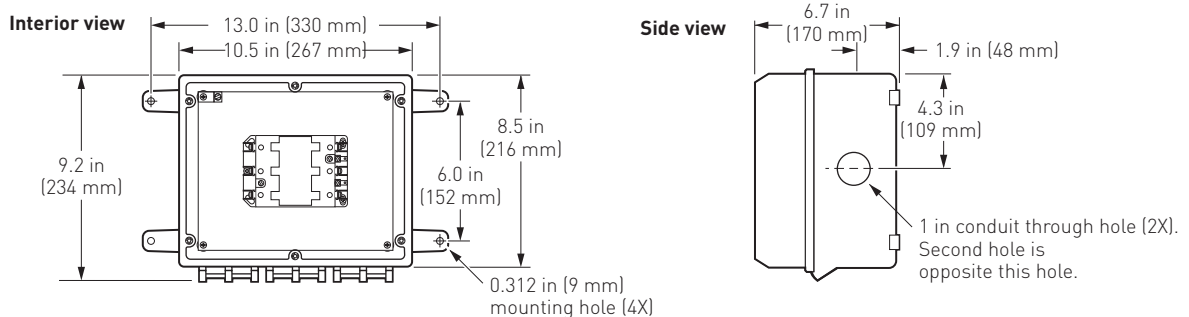


DigiTrace E104, E304, AND E307 THREE-POLE CONTACTORS

E104 – 100 A THREE-POLE CONTACTOR FOR NONHAZARDOUS LOCATIONS

DESCRIPTION

Three-pole, 100 amp per pole, 600 Vac maximum contactor housed in a NEMA 4X enclosure with two 1-inch conduit entries. When ordering, select coil voltage (110–120, 208–240, 277, 480, or 600 Vac).



SPECIFICATIONS

Enclosure	NEMA 4X thermoplastic; UL Listed, CSA Certified
Power connection	Screw terminals, 14–4 AWG (2 to 20 mm ²)
Contactor rating	100 A per pole, 600 Vac maximum, UL Recognized, CSA Certified
Order with appropriate coil:	

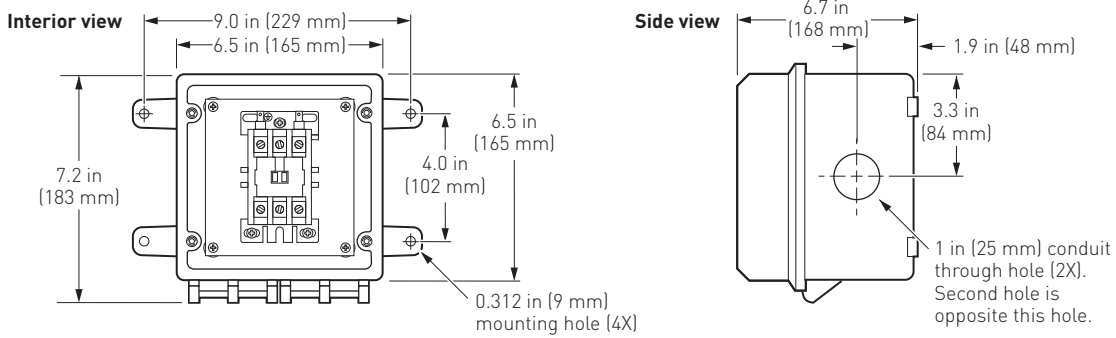
Coil rating	Catalog number
110–120 Vac	E104-100-120
208–240 Vac	E104-100-208 / 240
277 Vac	E104-100-277
480 Vac	E104-100-480
600 Vac	E104-100-600

E304 – 40 A THREE-POLE CONTACTOR FOR NONHAZARDOUS LOCATIONS

DESCRIPTION

Three-pole, 40 amp per pole, 600 Vac maximum contactor housed in a NEMA 4X enclosure with two 1-inch conduit entries. When ordering, select coil voltage (110–120, 208–240, 277, 480, or 600 Vac).

E304 – 40 A THREE-POLE CONTACTOR FOR NONHAZARDOUS LOCATIONS

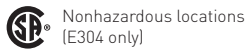


SPECIFICATIONS

Enclosure	NEMA 4X thermoplastic; UL Listed, CSA Certified
Power connection	Screw terminals, 14–4 AWG [2 to 20 mm ²]
Contactor rating	40 A per pole, 600 Vac maximum, UL Listed, CSA Certified
Order with appropriate coil:	

Coil rating	Catalog number
110–120 Vac	E304-40-120
208–240 Vac	E304-40-208 / 240
277 Vac	E304-40-277
480 Vac	E304-40-480
600 Vac	E304-40-600

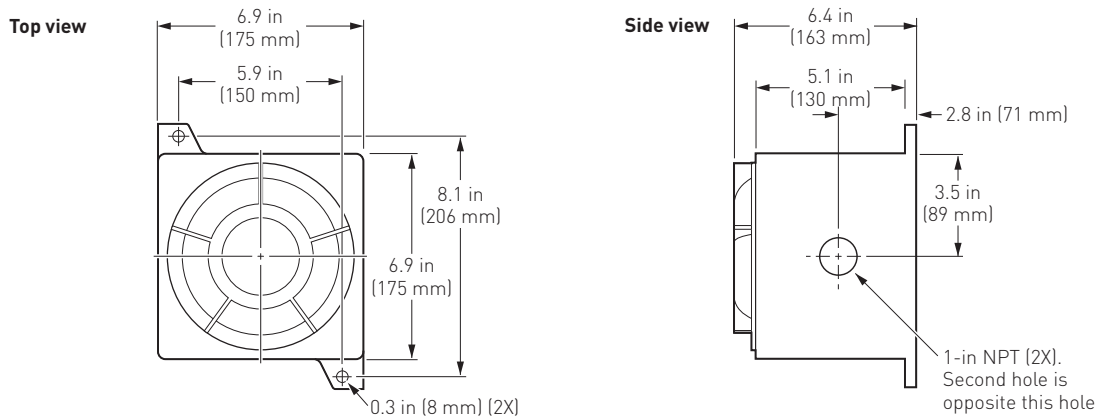
APPROVALS



E307 – 40 A THREE-POLE CONTACTOR FOR HAZARDOUS LOCATIONS

DESCRIPTION

Three-pole, 40 amp per pole, 600 Vac maximum contactor housed in NEMA 4, 7, 9 aluminum enclosure with two 1-inch NPT entries. The enclosure is approved for use in Class I, Groups B, C, D; Class II, Groups E, F, G; and Class III. When ordering, select coil voltage (110–120, 208–240, 277, 480, or 600 Vac).



SPECIFICATIONS

Enclosure	NEMA 4, 7, 9 cast aluminum, UL Listed, CSA Certified, FM Approved
Power connection	Pressure lugs for 14–4 AWG (2 to 20 mm ²) wire
Contact rating	40 A per pole, 600 Vac maximum, UL Recognized, CSA Certified
Order with appropriate coil:	

Coil rating	Catalog number
110–120 Vac	E307-40-120
208–240 Vac	E307-40-208 / 240
277 Vac	E307-40-277
480 Vac	E307-40-480
600 Vac	E307-40-600



WWW.PENTAIRTHERMAL.COM

NORTH AMERICA

Tel: +1.800.545.6258
Fax: +1.800.527.5703
Tel: +1.650.216.1526
Fax: +1.650.474.7711
thermal.info@pentair.com

EUROPE, MIDDLE EAST, AFRICA

Tel: +32.16.213.511
Fax: +32.16.213.603
thermal.info@pentair.com

ASIA PACIFIC

Tel: +86.21.2412.1688
Fax: +86.21.5426.2917
cn.thermal.info@pentair.com

LATIN AMERICA

Tel: +1.713.868.4800
Fax: +1.713.868.2333
thermal.info@pentair.com

Pentair and DigiTrace are owned by Pentair or its global affiliates. All other trademarks are the property of their respective owners. Pentair reserves the right to change specifications without prior notice.

© 1996–2013 Pentair.