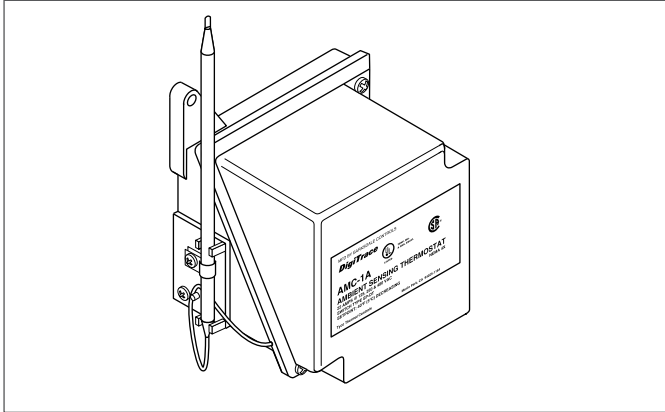


DigiTrace AMC-1A

AMBIENT-SENSING THERMOSTAT FOR NONHAZARDOUS LOCATIONS INSTALLATION INSTRUCTIONS



DESCRIPTION

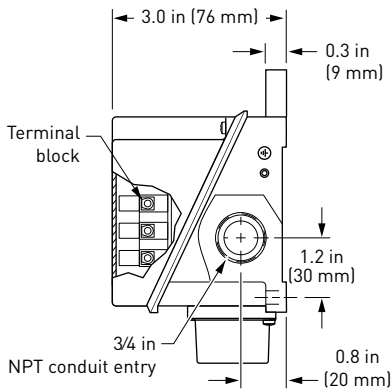
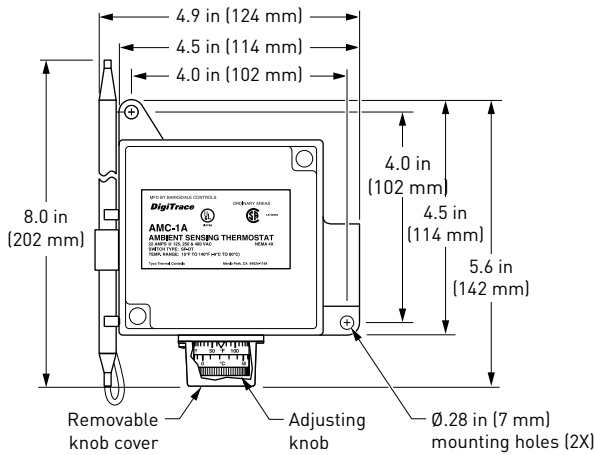
The AMC-1A thermostat is designed for controlling freeze protection heat-tracing systems in nonhazardous locations. The thermostat responds to ambient temperature changes. The AMC-1A can be used to control a heat-tracing circuit directly (see Figure 1 on back page) or it can be used to control a contactor coil (see Figure 2).

APPROVALS



SPECIFICATIONS

| | |
|-------------------------|--|
| Enclosure | NEMA 4X, polyurethane-coated cast-aluminum housing, stainless-steel hardware |
| Entries | One 3/4 in. NPT conduit hub |
| Set point range | 15°F to 140°F (-9°C to 60°C) |
| Sensor exposure limits | -40°F to 160°F (-40°C to 71°C) |
| Housing exposure limits | -40°F to 160°F (-40°C to 71°C) |
| Switch | SPDT |
| Electrical rating | 22 A at 125/250/480 Vac |
| Accuracy | ±6°F (±3.3°C) |
| Deadband | 2°F to 12°F (1.1°C to 6.7°C) above actuation temperature |
| Set point repeatability | ±3°F (±1.7°C) |
| Sensor type | Fixed fluid-filled (silicone) bulb and capillary |
| Sensor material | 300 series stainless steel |
| Connection | Screw terminals, 10-14 AWG (2-5 mm ²) terminals |



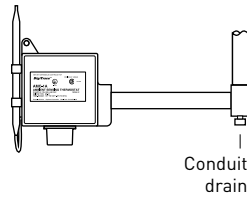
WARNING:

This component is an electrical device. It must be installed correctly to ensure proper operation and to prevent shock or fire. Read these important warnings and carefully follow all the installation instructions.

Component approvals and performance are based on the use of specified parts only. Do not use substitute parts or vinyl electrical tape to make connections.

INSTALLING THE THERMOSTAT

1. Verify that the thermostat is suitable for the area where it is to be installed.
2. Check the line voltage and the heat-tracing load to ensure that the thermostat ratings are not exceeded.
3. Mount the unit in a position that prevents condensation from draining into the enclosure from the connecting conduit (see diagram above).



POSITIONING

4. Mount ambient-sensing units in the area exposed to the coldest temperature and the most wind. Do not mount on the side of a warm building or in a location that is exposed to warm air currents or direct sun light.

SETTING AND ADJUSTING

5. Set the thermostat dial to the desired temperature and finish wiring.

WIRING

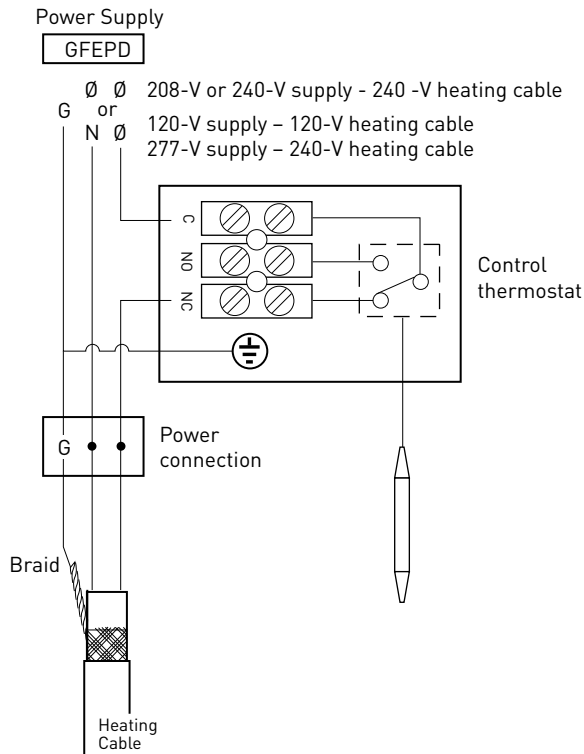


Figure 1. Heat-tracing control

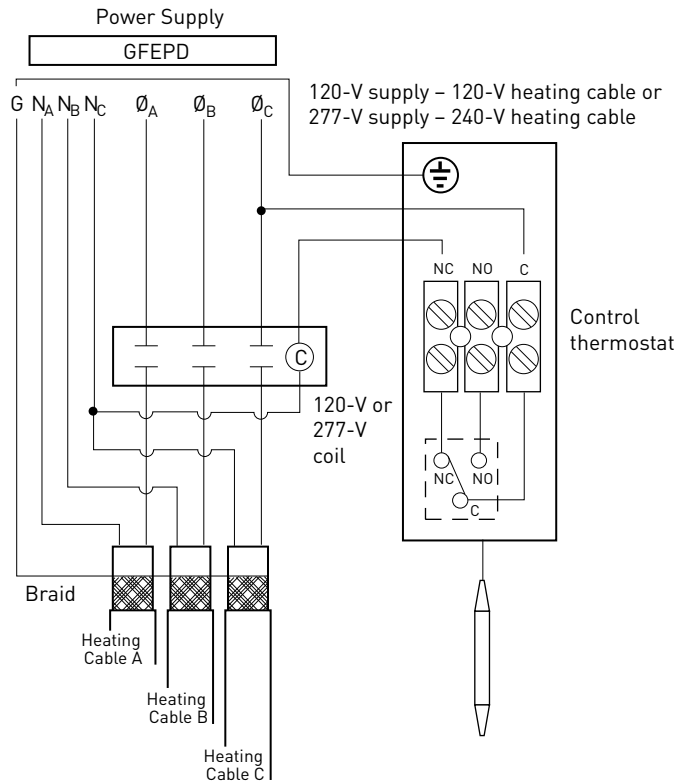


Figure 2. Controlling a contactor

For switching heat-tracing loads greater than 22 A or switching multiple heat-tracing circuits.



WWW.THERMAL.PENTAIR.COM

NORTH AMERICA

Tel: +1.800.545.6258
 Fax: +1.800.527.5703
 Tel: +1.650.216.1526
 Fax: +1.650.474.7711
 thermal.info@pentair.com

EUROPE, MIDDLE EAST, AFRICA

Tel: +32.16.213.511
 Fax: +32.16.213.603
 thermal.info@pentair.com

ASIA PACIFIC

Tel: +86.21.2412.1688
 Fax: +86.21.5426.2917
 cn.thermal.info@pentair.com

LATIN AMERICA

Tel: +55.11.2588.1400
 Fax: +55.11.2588.1410
 thermal.info@pentair.com

Pentair, DigiTrace and AMC are owned by Pentair or its global affiliates. All other trademarks are the property of their respective owners. Pentair reserves the right to change specifications without prior notice.