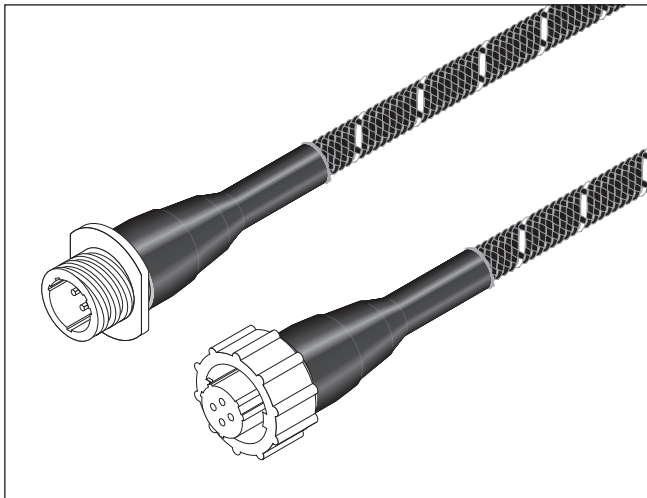




RAYCHEM
TraceTek

TT-1100-OHP-CK-PC-M/F

Field Installed Connectors for TraceTek 1100-OHP and TT1100-OHP-THIN Bulk Cable Installation Instructions



DESCRIPTION

These instructions describe field connecting of nVent RAYCHEM TraceTek TT1100-OHP and TT1100-OHP-THIN Bulk Sensing Cable.

For technical support call nVent at (800) 545-6258.

TOOLS REQUIRED

- nVent RAYCHEM TraceTek-STRIPPER (PN 358979-000) Greenlee stripper (1917) or equivalent for 26 AWG wire.
- nVent RAYCHEM TraceTek-ULTRA-TORCH (PN 390067-000) flameless heating tool (Ultratorch 200) or suitable heat gun with concentrator tip.
- High impedance ohmmeter (Fluke 87 or equivalent; meter must be capable of measuring to at least 20 megohm)
- nVent RAYCHEM TraceTek-CT-SCT crimp tool (PN 644333-000)
- Needle nose pliers
- Small wire cutters
- Masking tape
- nVent RAYCHEM TraceTek-MET-PC (PN 169905-000)

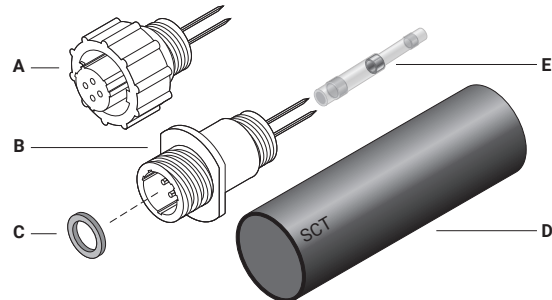
KIT CONTENTS

TT-1100-OHP-CK-PC-M/F (PN P00001186)
(10 M and 10 F Connectors)

Item	Qty	Description
A	10	nVent RAYCHEM TraceTek-CK-PC-F socket connector
B	10	nVent RAYCHEM TraceTek-CK-PC-M pin connector
C	10	Silicone washer
D	20	Heat-shrinkable tubing, labeled SCT (0 extra)
E	85	SolderSleeve splices (5 extras)

NOTES

- Do not use an open flame heating tool.
- The pin connector should always be installed on the cable end going to the alarm module.



⚠ WARNING:

FIRE HAZARD. Heat guns and flameless heating tools can cause fire or explosion in hazardous areas. Be sure there are no flammable materials or vapors in the area before using these

tools. Follow all site safety guidelines when working in hazardous areas. Component approvals and performance are based on the use of specified parts only.

⚠ CAUTION:

HEALTH HAZARD. Overheating heat-shrinkable tubing or SolderSleeves will produce fumes that may cause irritation. Use adequate ventilation and avoid charring or burning. Consult MSDS RAY3122 and RAY5103 for further information. CHEMTREC 24-hour emergency telephone: (800) 424-9300
Non-emergency health and safety information: (800) 545-6258.

CABLE IDENTIFICATION

- Identify the specific type of TT1100 cable you are working with.

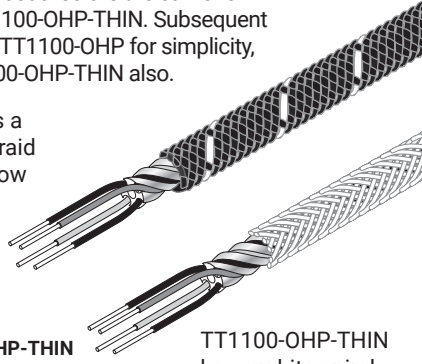
Note: Installation procedures are the same for TT1100-OHP and TT1100-OHP-THIN. Subsequent illustrations show the TT1100-OHP for simplicity, but apply to the TT1100-OHP-THIN also.

TT1100-OHP has a black rope overbraid with a single yellow thread.

TT-1100-OHP

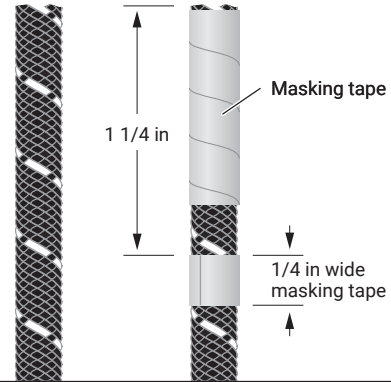
TT-1100-OHP-THIN

TT1100-OHP-THIN has a white spiral thread overbraid.



1

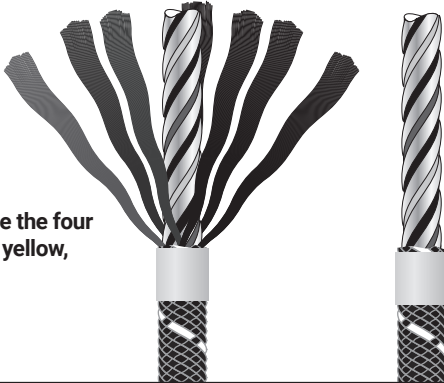
- Wrap 1/4 inch (6 mm) wide masking tape 1-1/4 inch (31 mm) away from roped cable end.



2

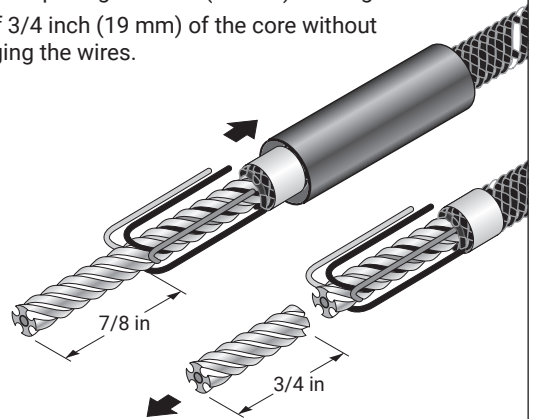
- Remove masking tape closest to roped cable end and unravel rope fibers (or white threads).
- Cut back rope fibers (or white threads) to tape edge as shown.

Do not damage the four wrapped (red, yellow, black) wires.



3

- Slide SCT tube onto cable.
- Using needle nose pliers, pull the four wires from their grooves exposing 7/8 inch (22 mm) of the grooved core.
- Cut off 3/4 inch (19 mm) of the core without damaging the wires.



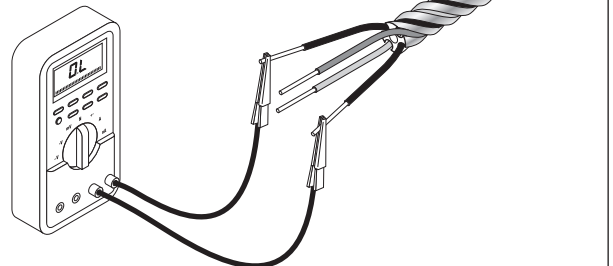
4

- Grasp the wire tips with the needle nose pliers.
- Pull the wires back into their grooves and lightly tug to straighten without stretching.
- Carefully strip 1/4 inch (6 mm) of insulation from each of the wires (use 26 AWG slot).



5

- Use the ohmmeter to measure the resistance between the black wires. The resistance must be greater than 20 megohm (meter may read: ∞, O.L., etc.).
- If the measurement is less than 20 megohm, check that the cable is not wet or contaminated, and make sure the wires are not touching each other. Repeat measurement.



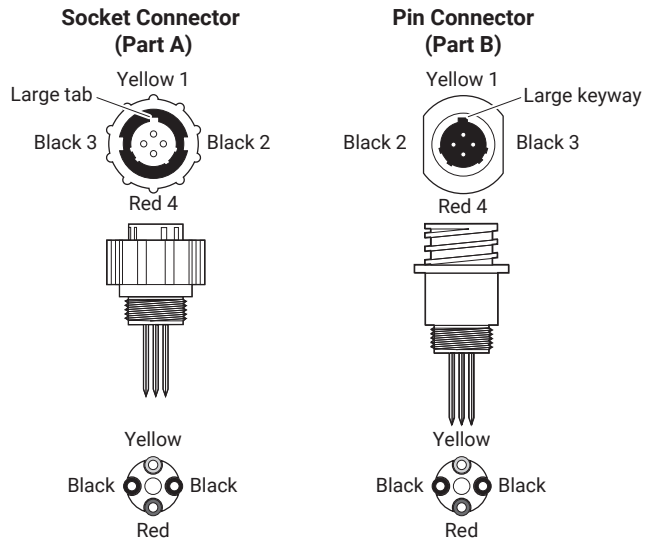
6

- Keep wires in the same order that they exit from the cable end.
- Slide a SolderSleeve splice (small end first) onto each wire, all the way to the cable end.
- The solder ring must lie over bare conductor, not insulation.
- Wire ends must extend beyond the solder rings.



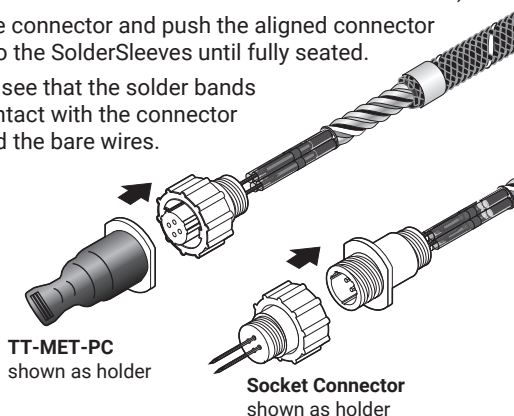
7 Install the Connector

- Examine the mating end of the connectors. The large plastic tab (socket connector) or the large key way (pin connector) corresponds to the yellow wire. Each pin/socket position is numbered on the front and back of the connector body. Once the yellow wire is aligned correctly to pin #1, the other wires are aligned also.
- The wires must be in the order that they exit the cable end.



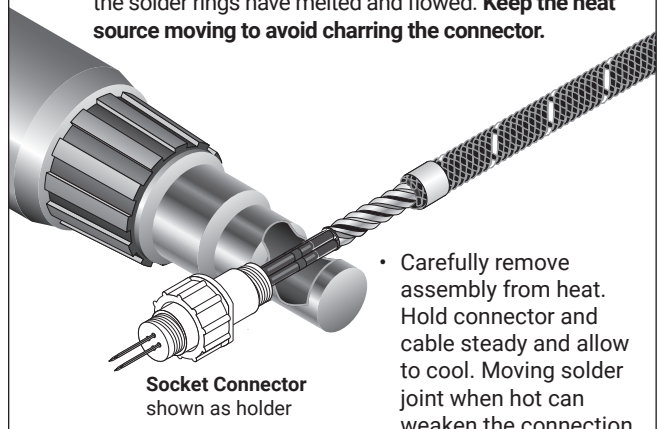
8

- Insert TT-MET-PC to use as a holder while applying heat. (For pin connector use a Socket Connector as a holder.)
- Orient the connector and push the aligned connector posts into the SolderSleeves until fully seated.
- Check to see that the solder bands are in contact with the connector posts and the bare wires.



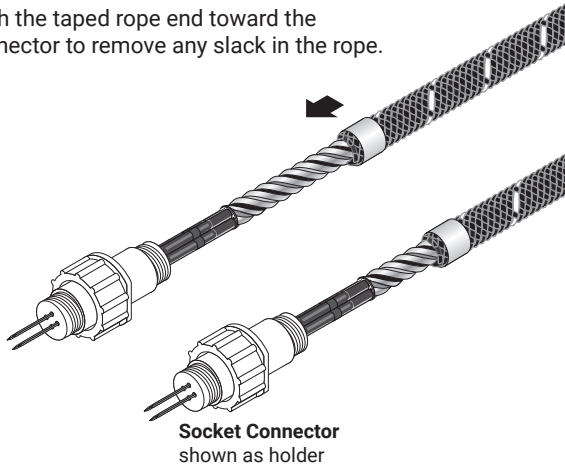
9

- Heat the SolderSleeves until they have shrunk fully and the solder rings have melted and flowed. **Keep the heat source moving to avoid charring the connector.**



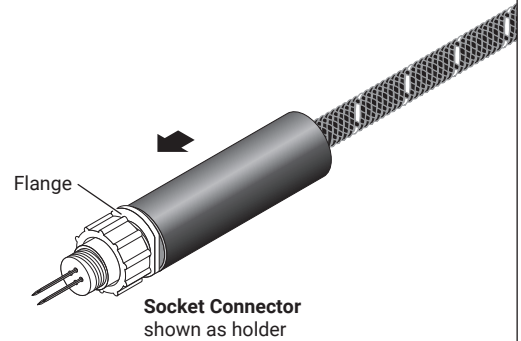
10

- Push the taped rope end toward the connector to remove any slack in the rope.



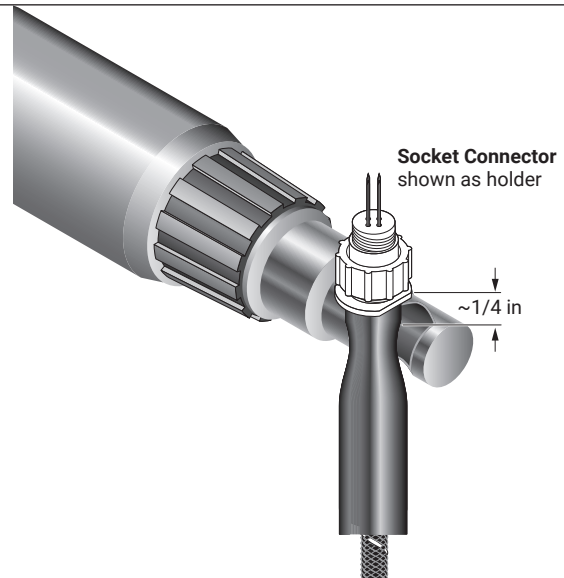
11

- Push SCT tube to the flange section for either connector type.



12

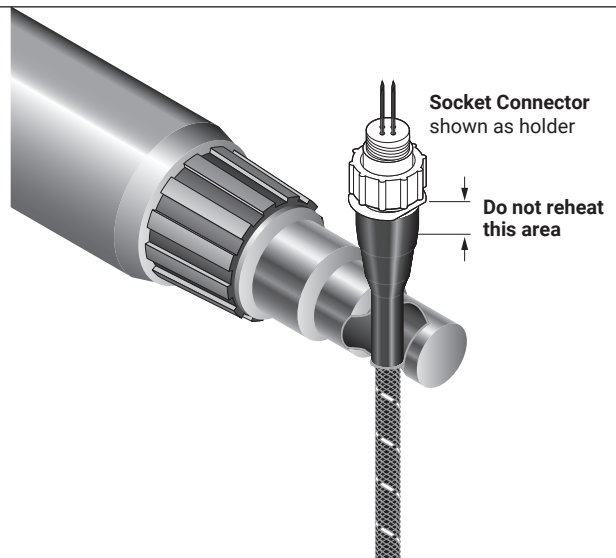
- Orient assembly vertically.
- Keep SCT tube in proper position.
- Heat shrink approximately 1/4 inch (6 mm) of the SCT tube onto the connector. For both connector types, heat only until the tube is recovered and smooth.
- It may be necessary to push tubing towards the connector to keep tubing edge flush with spinner ring or flange.
- **Do not overheat. The tube may slip off of the connector if it is overheated.**
- Allow to cool before proceeding.



13

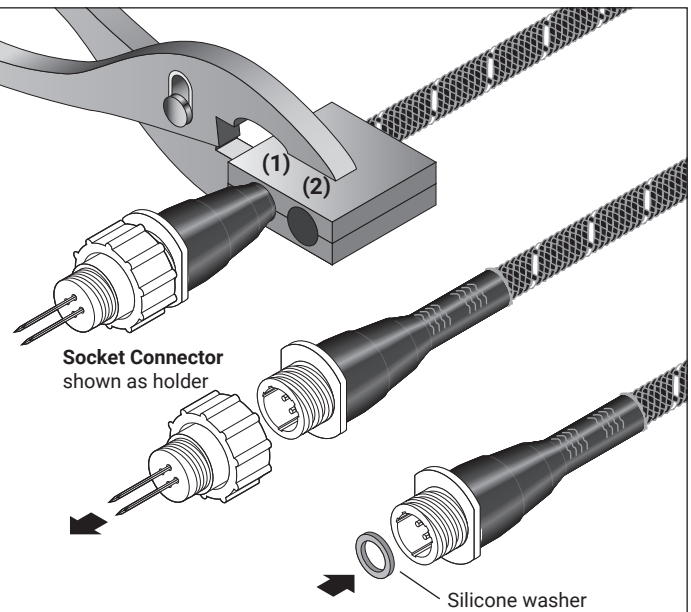
- Finish shrinking the tube, starting at the end opposite the connector.
- Do not apply heat directly to the rope (or white halar threads).
- Heat the tubing end until adhesive melts and beads on the rope.
- Keep heating the tubing section in the middle of tube until fully recovered.
- Avoid reheating the already shrunk section on the connector body.
- Proceed to the next step before the tube cools.

⚠ CAUTION: Burn Hazard. Do not get hot adhesive on your bare skin. The hot adhesive will burn your skin.



14

- While the tubing is still hot, place tubing in the smaller opening of the crimp tool (1). Align opening with SolderSleeve/cable area. Crimp SCT tubing to cool and seal. Open and rotate crimp tool 90 degrees and crimp again to ensure proper adherence to the cable.
- While the tubing is hot, align the large opening of the crimp tool (2) over the roped portion of cable (with the end of the tube halfway into the tool). Fully close the tool.
- If the tubing has moved more than 1/8 inch (3 mm) off the threaded connector, push the hot tubing back to the original position while supporting assembly using "holder" connector. You may have to reheat the tube. Hold the crimp tool in place while it cools the tube.
- Apply heat to tubing one last time to soften the creases made by the crimp tool. Do not overheat.
- Remove the crimp tool and let the assembly finish cooling.
- Remove the "holder" connector and for the pin connector, insert the silicone washer.

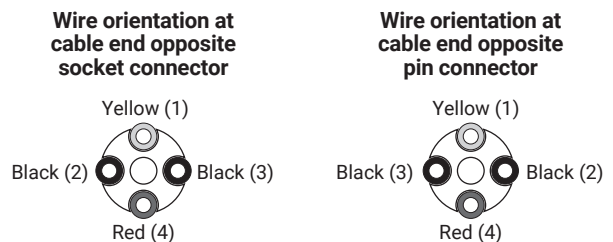
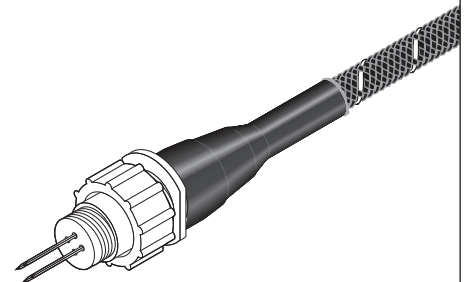


15 Test the Connector Assembly

Electrical Test

- Attach mating connector to the connector to be tested.
- If both cable ends have connectors, attach a mating end termination at the opposite end. If there is no connector on the opposite cable end, prepare it according to steps 1 thru 5. Then twist together wires 1 & 2 and wires 3 & 4.
- Use an ohmmeter to measure the resistance between the connector posts.
- The resistance between post 1 & 2, or 3 & 4 should be about 4000Ω per 1000 feet (303 m) of cable length (i.e. a 100 ft. (30 m) cable should measure approximately 400Ω between the posts).
- The resistance between post 2 and 3 should be greater than 20 megohms.
- If the assembly fails any of the resistance tests;
 - 1) Check that the wires are not touching at the opposite cable end, if not connectorized.
 - 2) If necessary, cut off and discard the connector and install a new one.

Note: Do not leave connector open to environment. If the connector becomes wet or contaminated, it will need to be replaced.



North America

Tel +1.800.545.6258
Fax +1.800.527.5703
thermal.info@nvent.com

Europe, Middle East, Africa

Tel +32.16.213.511
Fax +32.16.213.604
thermal.info@nvent.com

Asia Pacific

Tel +86.21.2412.1688
Fax +86.21.5426.3167
cn.thermal.info@nvent.com

Latin America

Tel +1.713.868.4800
Fax +1.713.868.2333
thermal.info@nvent.com



nVent.com